

FOR MODEL TYPE: EcoSuds

INSTALLATION / OPERATION / TROUBLESHOOTING

SPECIFICATIONS:

Dimensions (W x H x D) (mm)	W152 x H264 x D99
Soap Tank Capacity (ml)	1000ml, refillable reservoir
Battery Type Required	DC 6.0V (Size AA x 4, Alkaline)
Battery Life Estimated	30,000 cycles
Unit Net Weight empty (oz (kg))	24.7 (0.7)
Operation Mode	Automatic from Sensor Trigger
Pump Type	0.6-0.77 ml liquid to form 7-9cm ³ foam

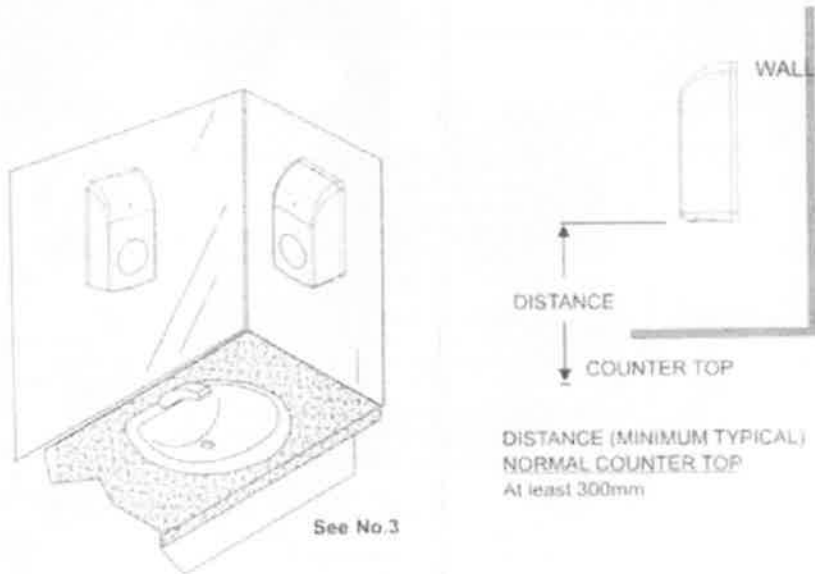


**Surface-mounted
Fully ADA-compliant**

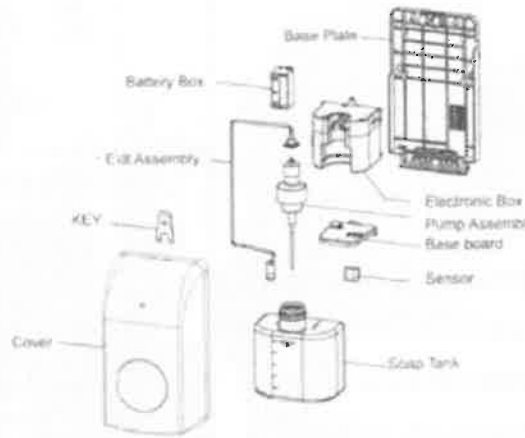
BEFORE INSTALLATION:

- Provide vertical, clean and smooth mounting surface.
- Make sure there is enough room above dispenser to access cover lock key.
- Ensure there are no obstructions below unit in sensor zone.
- Check operation of unit while holding it in place by hand **BEFORE** permanent installation

RECOMMENDED INSTALLATION:



2. ITEM LIST:

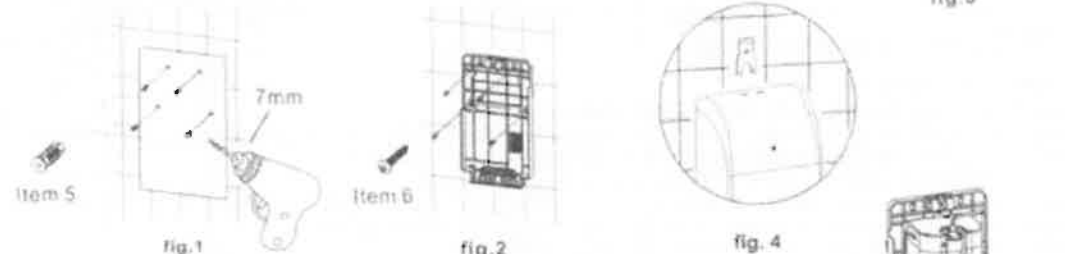


* Items all included in item 1

No	Illustration	Description	Qty	No	Illustration	Description	Qty
1		Soap Dispenser	1 each	8		Mounting screw	4
2		Installation Instructions	1	9		Battery box	1
3		Installation Template	1	10		Liquid soap tank	1
4		Plastic Key	1	11		Sensor	1
5		Plastic Anchor	4	12		Cover only	1
6		Base Board	1	13		Electronic box only w/o battery box	1
7		Exit Assembly	1 each	14		Pump Assembly	1

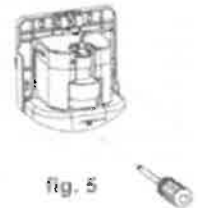
5.1 INSTALLATION STEPS, Tile or Dry Wall

1. Tape the installation template to the appropriate location on the mounting surface.
2. Drill four (4) holes at marked locations Ø7mm diameter.
3. Insert four (4) plastic anchors (supplied) into drilled holes; remove template (fig. 1).
4. Insert two (2) screws (supplied) into top plastic anchors and leave 3mm space from the wall under head (fig. 2 and fig. 3) for hanging dispenser.
5. Hang the dispenser on the two (2) screws through the keyhole slots at backplate top.
6. Use plastic key to unlock and pull forward the housing cover (fig. 4).
7. Lock dispenser to wall with remaining two (2) screws (supplied) through the holes at backplate bottom. Tighten all screws (fig. 5)



5.2 INSTALLATION STEPS, Adhesive on Mirror

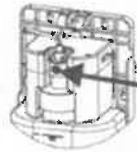
1. Clean mounting surface in area to be installed with isopropyl alcohol.
2. Mark outline of dispenser on mirror with masking tape.
3. Remove paper liners from self-adhesive pads on dispenser backplate.
4. Place unit on mounting surface with even steady pressure and hold for 1 minute.
5. Let tape cure for 10 hours prior to filling dispenser with soap for use.



Distributed by
www.Ameraproducts.com
 Phone: (800) 608-6568
 Fax: (409) 840-5545
info@ameraproducts.com

I. INSTALLATION STEPS CHECK

1. Check to ensure that dispenser is firmly attached to mounting surface.
2. Check to ensure that correct thinner soap is filled into soap container.
3. Check to ensure that soap container is closed with the pump.
4. Check to ensure that soap container is clean (no spill-over) and not leaking.
5. Check to ensure the slab connected to the electronic box is at top location, that is necessary for the placement of the soap container and pump assembly. Then push the pump so that the soap container can be pressed close to the electronic box. (fig.6)
6. Liquid soap refill: (fig 8)
 - a. Open the cover with the Plastic Key.
 - b. Remove the soap container from the control box.
 - c. Rotate the cap and remove it from the foam pump.
 - d. Remove the foam pump by twisting it counterclockwise.
 - e. Refill the soap.
 - f. Put the parts back and close the cover.
7. Check to ensure that four (4) new Alkaline Type AA batteries are installed with correct polarity (note the +/- indication, fig. 9, and below, typical).
8. Check to ensure that the battery box plug is properly engaged with the cable and the compartment door is closed.
9. Check to ensure the exit assembly is arranged at the correct location, connected to the pump assembly and not being heavily pressed.
10. Check to ensure that the housing is properly closed by pushing up the cover and the plastic key is retained.
11. Check to ensure that the LED is lit blue and then flashes four (4) times .



Push this place to make sure pump is pressed close to the electronic box.

Fig.6

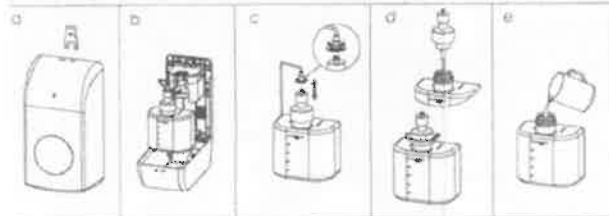


fig. 7

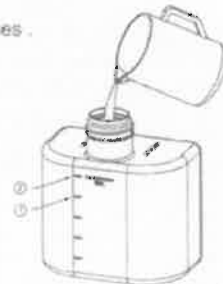


fig. 8

II. OPERATION INSTRUCTIONS

A. Service Instructions

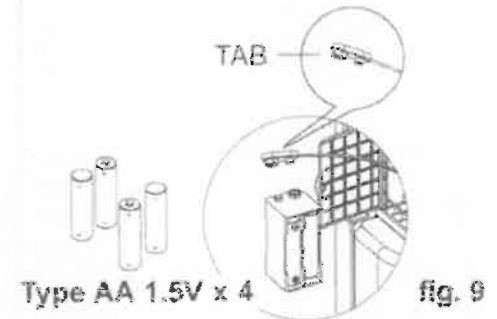
- Open housing with included plastic key previously retained.
- Open cover on battery compartment, remove battery box and unplug cable; install four (4) new Alkaline Type AA 1.5V batteries with correct polarity (note the +/- indication, fig. 9).
- Reinstall battery box (note plug polarity tab) and close compartment cover.
- Use soap container volume 1000ml, be able to refill with thinner soap (ratio of liquid soap and water is about 1:4. Fill water to mark ① of the container first then fill soap to mark ②).
- Shake the liquid to thoroughly mix the finished product. (Fig.8)
- Ensure the nozzle is not clogged and the soap container is clean (no spill-over and not leaking) then install it in the dispenser. Always make sure to keep the body inside the cover dry.
- Observe that the LED is lit blue and then flashes four (4) times indicating proper operation "stand-by" mode.
- Sensing range is pre-set by the factory. The sensor is auto-adjusted.
- Close the housing cover to lock it and keep the plastic key.
- Trigger the sensor with hands or a towel 3-6 times to check proper soap dispenser cycle.

B. User's Instructions

1. Place hand below the dispenser spout within the sensing range. The dispenser will automatically release the preset amount of foam from the nozzle spout.
2. Obtain additional foam by withdrawing hand and then again placing hand below the dispenser spout within the sensing range.



Caution : Batteries installed with incorrect polarity may cause malfunction.



Type AA 1.5V x 4

fig. 9

9. IMPORTANT NOTICE

1. Ensure that no bright light is aimed or reflected at the sensor from below.
2. Use thinner soap and clean the soap container properly before each re-fill. Deposits of old soap will lead to malfunction and jamming. After running out of liquid soap, we strongly suggest refilling it in one week.
3. Do not use soap containing abrasives. Observe indicated viscosity factor of thinner soap.
4. Always keep the internal components dry including the electronic box, exit assembly, pump assembly, soap container, etc. Rotate the cap softly to make sure it is jointed to the pump assembly. The fluxion may lead to short circuit.
5. Should the dispenser be out of order after replacing the batteries, do not attempt any repair work. Call your dealer for professional assistance.

10. BATTERY LOW INDICATION

1. If LED continues to flash blue, replace the batteries.
2. After replacing batteries, observe that the LED is lit blue and then flashes four (4) times indicating proper operation "stand-by" condition.
3. If the LED doesn't work after changing the batteries, it may be due to Electronic Box damage. Call your dealer for professional assistance.

11. TROUBLESHOOTING

Problem Symptom	Solution Diagnostic
No soap dispensed on hands	<ul style="list-style-type: none"> • Check soap qualities, properties and level in soap container • Check sensor cover for dirt obscuring the lens • Replace new battery to ensure the power input. • If the LED flashes, change the pump and exit assembly. • It is suggested to change above components every 50,000 life cycles or after the first year of use.
Battery LED indicator doesn't flash	<ul style="list-style-type: none"> • Replace batteries to ensure the indicator flashes. • if it still doesn't work after batteries are changed, the electronic box may be damaged. Call your dealer for professional assistance.
Low volume soap dispensed	<ul style="list-style-type: none"> • Check soap qualities, properties and level in soap container • Replace new battery to ensure the power input. • Change the pump and exit assembly.
Soap leaks at bottom of housing	<ul style="list-style-type: none"> • Check to ensure the soap container is not damaged/punctured. • Check for over-fill or fluxion inside the cover. • Change the pump and exit assembly.