

S I N C E 1 9 9 0

Distributed by
www.Ameraproducts.com
Phone: (800) 608-6568
Fax: (409) 840-5545
info@ameraproducts.com



L & J FIRE
EQUIPMENT

I N C O R P O R A T E D

ANSUL AMEREX KITCHEN KNIGHT II SENTRY RANGE GUARD MONARCH LARSEN'S BUCKEYE



L&J FIRE EQUIPMENT

I N C O R P O R A T E D

THIS CATALOG SUPERSEDES ALL PREVIOUS CATALOGS AND TERMS

L&J FIRE EQUIPMENT STOCKS A LARGE INVENTORY OF:

Ansul Sentry Extinguishers	Amerex System Parts
Ansul R-102 System Parts	Minimax Extinguishers
Buckeye Extinguishers	Monarch Industrial Systems
Pyro-Chem KKII Restaurant Systems	Larsen's & CATO Cabinets
Range Guard Restaurant Systems	Buckeye Foams & Chemicals

WE OFFER SAME DAY SHIPPING

Small parcel orders of \$500 or more to a single location are freight free within the Continental United States (excludes recharging compounds and hazardous materials).

Truck line shipments of \$5000 or more to a single location are freight free within the Continental United States.

PALLETS OF EXTINGUISHERS ARE FREIGHT FREE TO MOST AREAS

Freight free on most skid orders of extinguishers with next day delivery to Florida, Indiana, Ohio, Michigan, Illinois, Wisconsin, Pennsylvania, Georgia, Kentucky, West Virginia, California, Nevada, and Arizona.

Let L&J Fire Equipment be your warehouse, we have the products and the service that our customers can build on, and count on.

Distributed by
www.Ameraproducts.com
Phone: (800) 608-6568
Fax: (409) 840-5545
info@ameraproducts.com



PLEASE CALL OR VISIT OUR WEBSITE FOR YOUR CURRENT PRICING



L&J FIRE EQUIPMENT

I N C O R P O R A T E D

TABLE OF CONTENTS

Ansul Sentry Extinguishers	3-4
Buckeye Extinguishers	4-5
Minimax Extinguishers & Brackets	6
Minimax Extinguisher Parts	6
Sentry Extinguisher Parts	7-9
Sentry Dry Chemical Parts	7-8
Sentry Cleanguard Parts	8
Sentry K-Guard Parts	9
Sentry Pressurized Water Parts	9
Buckeye Extinguisher Parts	10-13
Quik-Seals	14
Product Manuals	14
Sentry & Red Line Extinguisher Brackets	15-16
Buckeye Extinguisher Brackets, Wall Hooks, Foams	17
Foam Products	18
Larsen's Cabinets	18
CATO Cabinets	18
Centurion Cabinets	18
L&J Miscellaneous Products	19
Redline Cartridges, Signs, Tags, Filters, Seals, etc.	
Ansul Wheeled Units	20
Buckeye Wheeled Units	20
L&J Chemicals & Powders	21-23
Ansul R-102 System Parts	24-28
Piranha System Parts	28
Kitchen Knight II	29-35
Range Guard	36-39
Amerex System Parts	40-41
Monarch	42-43
L&J Pipe Fittings	44-45
Terms & Conditions	46



Distributed by
www.Ameraproducts.com
Phone: (800) 608-6568
Fax: (409) 840-5545
info@ameraproducts.com



ANSUL[®] SENTRY extinguishers

Foray Extinguishers



429101 429001 429102 434732 434735 436500 434747

FORAY extinguishers

Part #	Capacity	Description	Rating	PLT Qty
429101	2.5 lb	A02VB	1-A:10-B:C	198
429001	5 lb	A05	3-A:10-B:C	98
429102	5 lb	A05VB	3-A:10-B:C	98
434732	5 lb	AA05-1	3-A:40-B:C	98
434735	5 lb	AA05-1VB	3-A:40-B:C	98
436500	10 lb	AA10S	4-A:80-B:C	63
434747	20 lb	AA20-1	20-A:120-B:C	48

Purple-K Extinguishers



429008 429009 429011

PURPLE-K extinguishers

Part #	Capacity	Description	Rating	PLT Qty
429008	5 lb	PK05	60-B:C	98
429009	10 lb	PK10	80-B:C	72
429011	20 lb	PK20	120-B:C	48

+50C Extinguishers



429014 429015 429017

+50C extinguishers

Part #	Capacity	Description	Rating	PLT Qty
429014	5 lb	C05	40-B:C	98
429015	10 lb	C10	40-B:C	72
429017	20 lb	C20	80-B:C	48

C02 Extinguishers



431553 431554 431555 431556

C02 extinguishers: ALUMINUM SHELL

Part #	Capacity	Description	Rating	PLT Qty
431553	5 lb	CD05A	5-B:C	35
431554	10 lb	CD10A	10-B:C	15
431555	15 lb	CD15A	10-B:C	15
431556	20 lb	CD20A	10-B:C	12



Distributed by
www.Ameraproducts.com
 Phone: (800) 608-6568
 Fax: (409) 840-5545
info@ameraproducts.com

ANSUL® SENTRY extinguishers

CLEANGUARD extinguishers

Part #	Capacity	Description	Rating
429107	2.5 lb.	FE02VB	2-B:C
429020	5 lb.	FE05	5-B:C
429021	9 lb.	FE09	1-A:10-B:C
429022	13 lb.	FE13	2-A:10-B:C
432893	13 lb.	FE13NM	1-A:10-B:C

Cleanguard Extinguishers



429107 429020 429021 429022 432893

WATER extinguisher

Part #	Capacity	Description	Rating
430847	2 1/2 Gal.	W01-2 Pressurized Water	2-A

K-GUARD extinguisher

Part #	Capacity	Description	Rating
432843	6 Liter	K01-2, K-Guard	2-A:K

430847



432843



BUCKEYE® EXTINGUISHERS

ABC extinguishers

Part #	Capacity	Description	Rating	PLT Qty
13315	2.5 lb.	ABC Alum. Valve	1-A:10-B:C	180
10914	5 lb.	ABC Alum. Valve	3-A:40-B:C	140
25614	5 lb.	ABC V/B Alum. Valve	3-A:40-B:C	140
11340	10 lb.	ABC (Tall) Alum. Valve	4-A:80-B:C	140
12120	20 lb.	ABC Alum. Valve	20-A:120-B:C	70
12905	30 lb.	ABC Brass Valve	20-A:160-B:C	30

ABC Extinguishers



13315 10914 25614 11340 12120 12905

PURPLE-K extinguishers

Part #	Capacity	Description	Rating
13515	2.5 lb.	PK Aluminum Valve	10-B:C
11214	5 lb.	PK Aluminum Valve	20-B:C
25914	5 lb.	PK Aluminum Valve	20-B:C
11740	10 lb.	PK Aluminum Valve	80-B:C
12620	20 lb.	PK Aluminum Valve	120-B:C
12805	30 lb.	PK Brass Valve	160-B:C

Purple-K Extinguishers



13515 11214 25914 11740 12620 12805

Distributed by
www.Ameraproducts.com
 Phone: (800) 608-6568
 Fax: (409) 840-5545
 info@ameraproducts.com



BUCKEYE® extinguishers

Distributed by
www.Ameraproducts.com
Phone: (800) 608-6568
Fax: (409) 840-5545
info@ameraproducts.com

Standard Dry Chemical



13415 11014 13514 11840 12220

DRY chemical extinguishers

Part #	Capacity	Description	Rating
13415	2.5 lb	BC Aluminum Valve	10-B:C
11014	5.5 lb	BC Aluminum Valve	40-B:C
13514	5.5 lb	BC Aluminum Valve	40-B:C
11840	10 lb	BC Aluminum Valve	40-B:C
12220	20 lb	BC Aluminum Valve	120-B:C

CO2 Extinguishers



45100 45600 46100 46600

CO2 extinguishers

Part #	Capacity	Description	Rating
45100	5 lb	CO2 Aluminum Shell	5-B:C
45600	10 lb	CO2 Aluminum Shell	10-B:C
46100	15 lb	CO2 Aluminum Shell	10-B:C
46600	20 lb	CO2 Aluminum Shell	10-B:C

Halotron



70256 70251 70259 70258 75555 70510 71100

HALOTRON extinguishers

Part #	Capacity	Description	Rating
70256	2.5 lb	Hose w/VB	2-B:C
70251	2.5 lb	Fixed Nozzle w/VB	2-B:C
70259	2.5 lb	Hose	2-B:C
70258	2.5 lb	Fixed Nozzle	2-B:C
75555	5 lb	Hose w/VB	5-B:C
70510	5 lb	Fixed Nozzle	5-B:C
70550	5 lb	Fixed Nozzle w/VB	5-B:C
75550	5 lb	Hose	5-B:C
71100	11 lb	Hose	1-A:10-B:C
71550	15.5 lb	Hose w/Brass Valve	2-A:10-B:C

Water And Water Mist



50000 51000

Wet Chemical



50006

Class D



52000

WATER extinguishers

Part #	Capacity	Description	Rating
50000	2.5 Gal	Pressurized Water	2-A
51000	2.5 Gal	Water Mist	2-A:C

WET chemical extinguisher

Part #	Capacity	Description	Rating
50006	6 Liters	K-Class	1-A:K

CLASS D extinguisher

Part #	Capacity	Description	Rating
52000	30 lb	Sodium Chloride	D

Distributed by
www.AmeraProducts.com

Phone: (800) 608-6568

Fax: (409) 840-5545

info@ameraproducts.com

MINIMAX

extinguishers

MINIMAX extinguishers

Part #	Capacity	Description	Rating	PLT Qty
300005	5 lb	MX5A ABC	2-A:40B:C	156
300023	5 lb	MX5A ABC-VB	2-A:40B:C	106
300010	10 lb	MX10A ABC	4-A:60B:C	120



MINIMAX extinguisher brackets

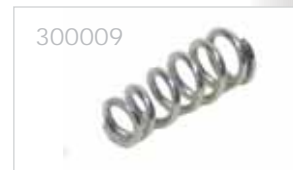
Part #	Description
300007	5 lb. Vehicle Bracket
300012	10 lb. Vehicle Bracket

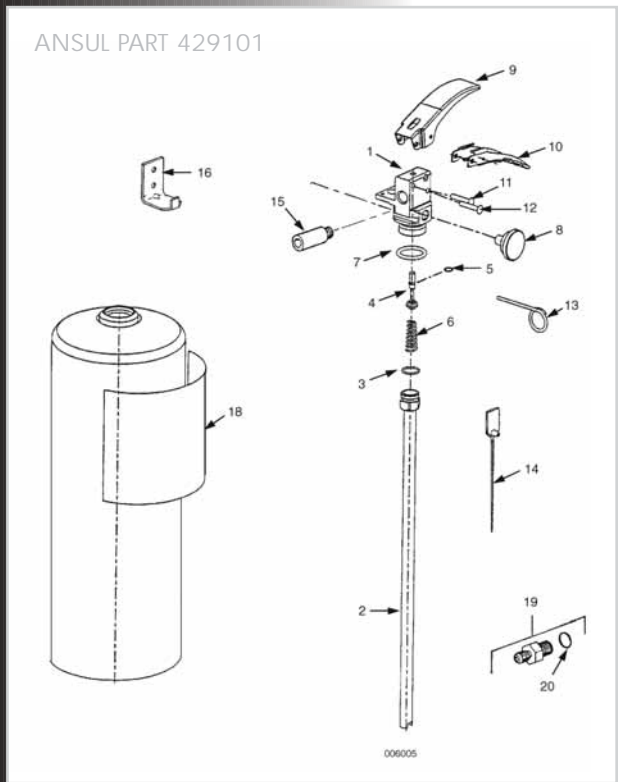


MINIMAX PORTABLE PARTS

MINIMAX portable parts

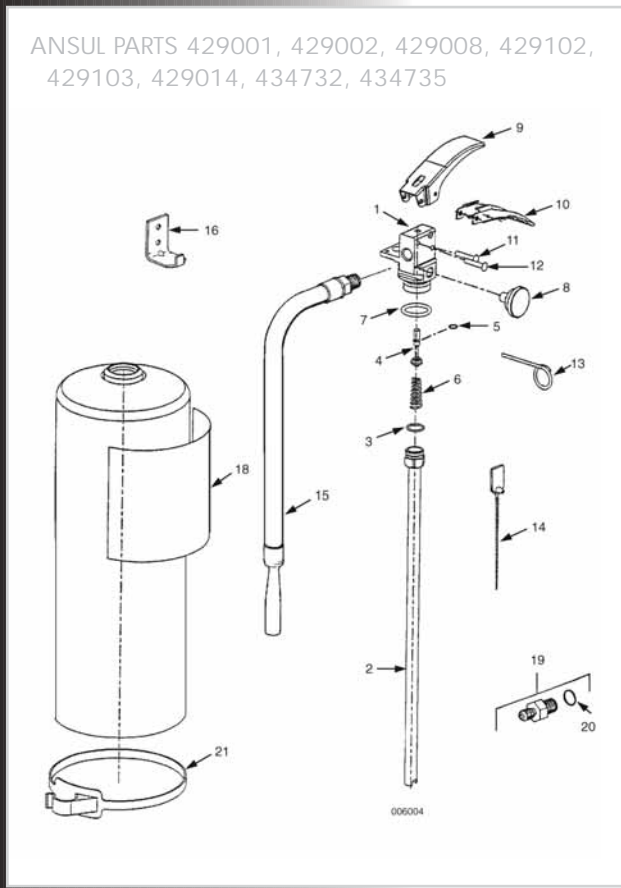
Part #	Description
300006	5 lb. Hose + Nozzle Assembly
300011	10 lb. Hose + Nozzle Assembly (Not Shown)
300008	5 lb. Siphon Tube
300013	10 lb. Siphon Tube (Not Shown)
300009	Spring
300019	Valve Stem Brass
300014	Pressure Gauge
300015	Valve Assembly (including handles)
300016	5 lb. Hose Band
300017	10 lb. Hose Band (Not Shown)
300018	Valve body O-Ring's (2-Rings)
300021	Wall Bracket
300022	Pull Pin





DRY chemical parts

Fig.#	Description	Sentry
—	Valve Assembly (Not Shown)	429083
1	Valve Body, Machined	428062
2	Tube, Pick-Up	428795
3	O-Ring (Pick-up Tube)	76076
4	Valve Stem Assembly	429099
5	O-Ring	11873
6	Spring	415565
7	O-Ring	428327
8	Gauge, Pressure	428280
9	Lever, Operating	429096
10	Handle, Carrying	429097
11	Rivet, Operating Lever	428130
12	Rivet, Carrying Handle	428130
13	Pull Pin (Ring Pin)	16235
14	Seal, Visual Inspection	419790
15	Nozzle Tip Assembly, A02, A02VB	428269
16	Hanger Hook, A02	21873
—	Bracket Assembly (Not Shown)	24610
	A02VB C02VB	
19	Adaptor Assembly, Recharge	429642
20	O-Ring	57744



DRY chemical parts

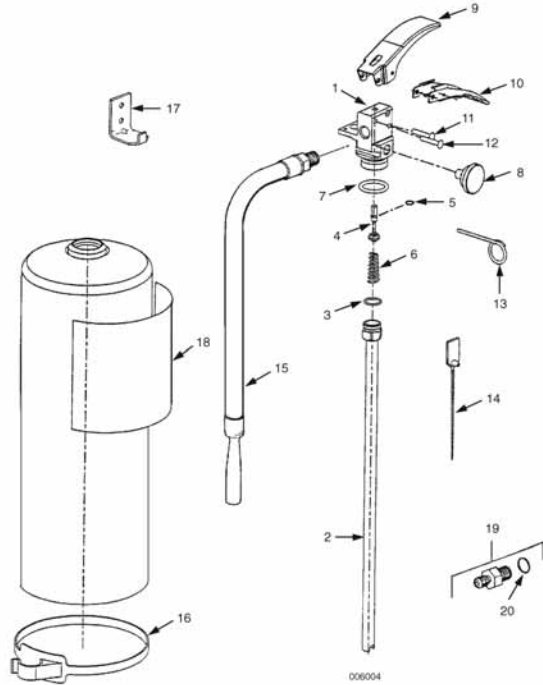
Fig.#	Description	Sentry
—	Valve Assembly (Not Shown)	429084
1	Valve Body, Machined	428062
2	Tube, Pick-Up	428796
3	O-Ring (Pick-up Tube)	76076
4	Valve Stem Assembly	429099
5	O-Ring	11873
6	Spring	415565
7	O-Ring	428327
8	Gauge, Pressure	428280
9	Lever, Operating	429096
10	Handle, Carrying	429097
11	Rivet, Operating Lever	428130
12	Rivet, Carrying Handle	428130
13	Pull Pin (Ring Pin)	16235
14	Seal, Visual Inspection	419790
15	Hose & Nozzle Assembly, A05	428728
15	Hose & Nozzle Assembly, AA05	428729
15	Hose & Nozzle Assembly, PK05	428730
15	Hose & Nozzle Assembly, C05	428731
16	Hanger Hook, AA05, PK05, A05, C05	54405
—	Bracket Assembly (Not Shown)	429146
	AA05VB, A05VB	
19	Adaptor Assembly, Recharge	429642
20	O-Ring	57744
21	Hose Retainer, AA05, PK05, A05, C05	427995



DRY chemical parts

Fig.#	Description	Sentry
—	Valve Assembly, 10 lb. (Not Shown)	429085
—	Valve Assembly, 20 lb. (Not Shown)	429087
1	Valve Body, Machined	428062
2	Tube, Pick-Up, 10 lb. Models except A10T	428797
2	Tube, Pick-Up, 20 lb.	428799
3	O-Ring (Pick-up Tube)	76076
4	Valve Stem Assembly	429099
5	O-Ring	11873
6	Spring	415565
7	O-Ring	428327
8	Gauge, Pressure	428280
9	Lever, Operating	429096
10	Handle, Carrying	429097
11	Rivet, Operating Lever	428130
12	Rivet, Carrying Handle	428130
13	Pull Pin (Ring Pin)	16235
14	Seal, Visual Inspection	419790
15	Hose & Nozzle Assembly, A10H, C10	428732
15	Hose & Nozzle Assembly, PK10	428734
15	Hose & Nozzle Assembly, AA20	428736
15	Hose & Nozzle Assembly, PK20	428738
15	Hose & Nozzle Assembly, C20	428740
16	Hose Retainer	427995
17	Hanger Hook	428222
19	Adaptor Assembly, Recharge	429642
20	O-Ring	57744
21	Bracket Assembly (Not Shown)	4178988

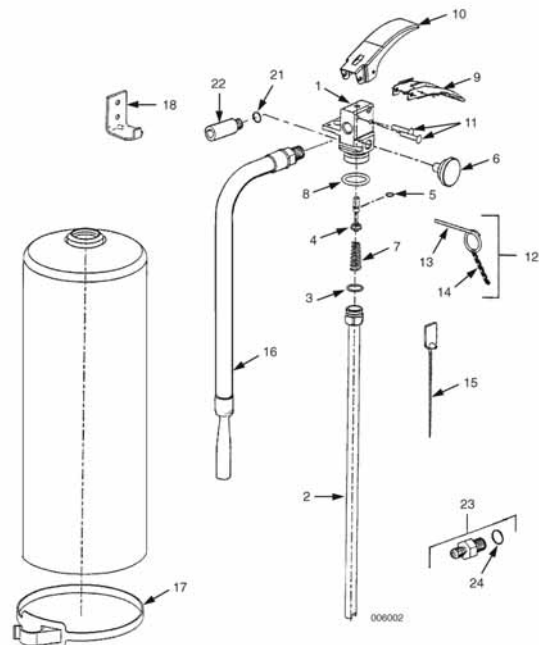
ANSUL PARTS 429003, 429009, 431570,
 431554, 429006, 429011, 429017, 434747



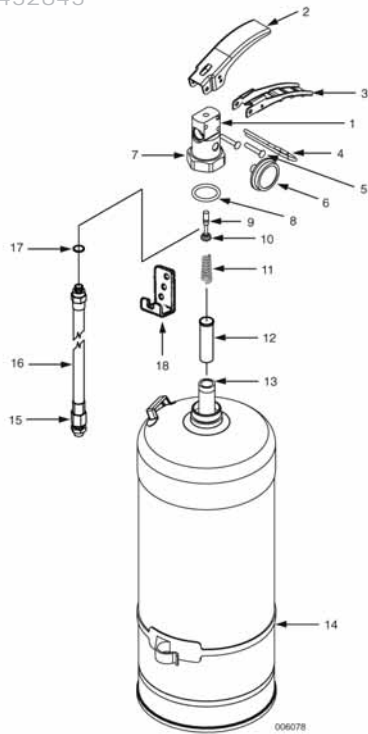
CLEANGUARD parts

Fig.#	Description	Sentry
—	Valve Assembly, FE02VB (Not Shown)	429090
—	Valve Assembly, FE05 (Not Shown)	429091
—	Valve Assembly, FE09 (Not Shown)	429092
—	Valve Assembly, FE13 (Not Shown)	429093
1	Valve Body, Anodized	429100
2	Tube, Pick-up, FE02VB	428795
2	Tube, Pick-up, FE05	428796
2	Tube, Pick-up, FE09	428797
2	Tube, Pick-up, FE13	428799
3	O-Ring	76076
4	Valve Stem Assembly (Includes O-Ring)	429099
5	O-Ring	11873
6	Gauge, FE02VB, FE05	426264
6	Gauge, FE09, FE13	428940
7	Spring	415565
8	O-Ring	428327
9	Handle, Finished	429097
10	Push Lever, Finished	429096
11	Rivet (2)	428130
12	Ring Pin/Chain Assembly	16234
13	Ring Pin	16235
14	Chain	507
15	Seal, Visual Inspection	419790
16	Hose & Nozzle Assembly, FE05	428742
16	Hose & Nozzle Assembly, FE09, FE13	428743
17	Hose Retainer, FE05, FE09, FE13	427995
18	Hanger Bracket, FE05	54405
18	Hanger Bracket, FE09, FE13	428224
—	Vehicle Bracket (Not Shown)	24610
21	O-Ring	57744
22	Nozzle	429118
23	Adaptor Assembly, Recharge	429642
24	O-Ring	57744

ANSUL PARTS 429107, 429020, 429021, 429022



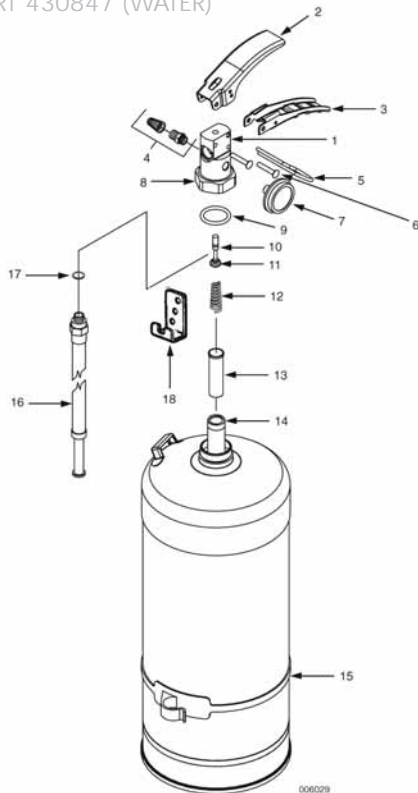
ANSUL PART 432843



K-GUARD parts

Fig.#	Description	Sentry
1	Valve Body	430271
2	Lever	430924
3	Handle	430273
4	Ring Pin	430115
5	Rivet	430250
6	Gauge	429536
7	Collar Nut	430274
8	Collar O-Ring	56909
9	Valve Stem O-Ring	429539
10	Valve Stem	429099
11	Spring	430004
12	Fill Tube	429541
13	Pick-Up Tube Assembly	430851
14	Belly Band	427995
15	Nozzle Tip	426074
16	Hose and Nozzle Assembly	430055
17	Hose O-Ring	429544
18	Wall Hanger	430056
—	Heavy Duty Bracket (Not Shown)	422737
—	Visual Inspection Seal (Not Shown)	25940
—	Warning Placard, English/Spanish (Not Shown)	426021

ANSUL PART 430847 (WATER)



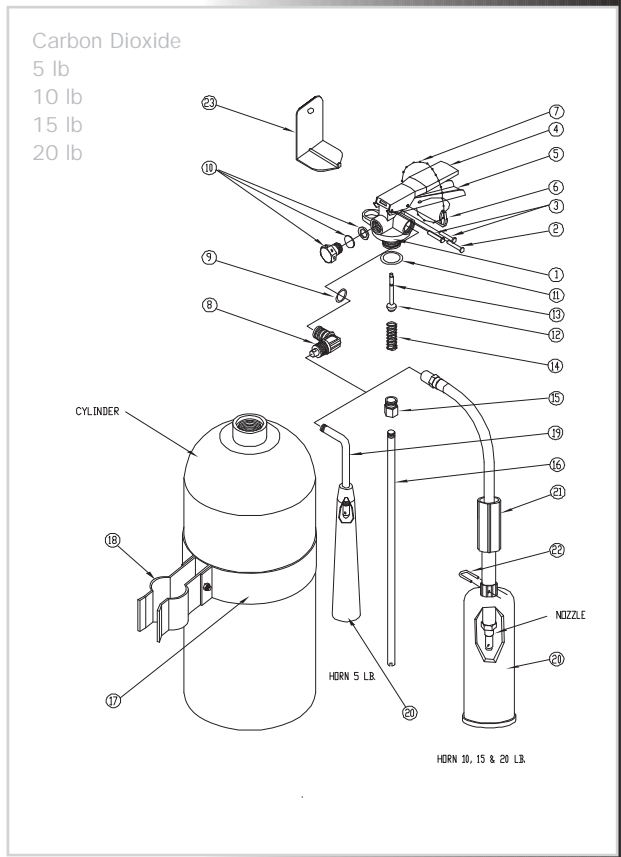
WATER parts

Fig.#	Description	Sentry
1	Valve Body	430821
2	Lever	430924
3	Handle	430273
4	Air Valve Assembly	429542
5	Ring Pin	430115
6	Rivet	430250
7	Gauge	429536
8	Collar Nut	430274
9	Collar O-Ring	56909
10	Valve Stem O-Ring	429159
11	Valve Stem	429099
12	Spring	430004
13	Fill Tube	429541
14	Pick-Up Tube Assembly	430793
15	Belly Band	427995
16	Hose and Nozzle Assembly	429543
17	Hose O-Ring	429544
18	Wall Hanger	430056
—	Heavy Duty Bracket (Not Shown)	30937
—	Visual Inspection Seal (Not Shown)	25940



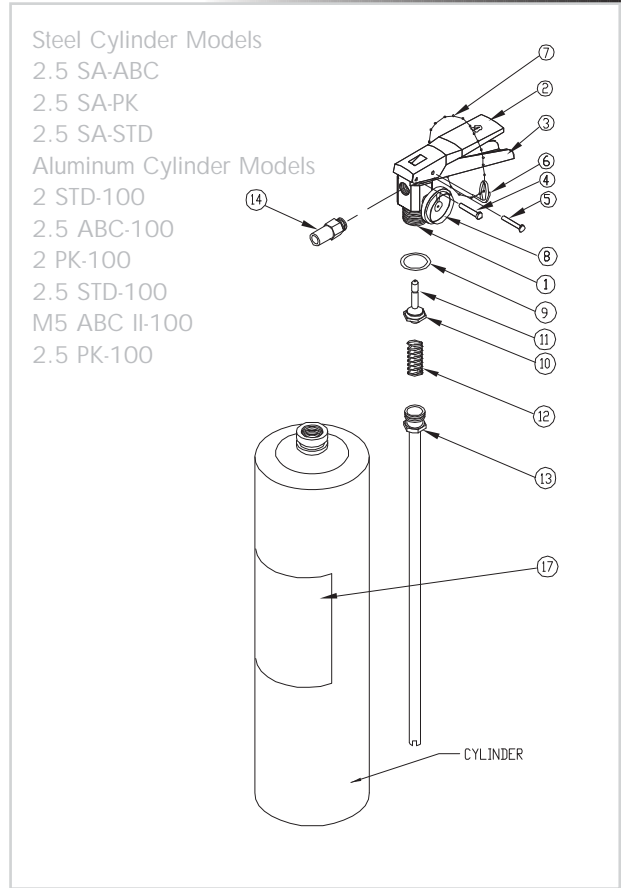
CARBON dioxide

Fig.#	Part Number	Description	Model
1.....	900302.....	Valve Body	All
2.....	900053.....	Rivet for Lever	All
3.....	900052.....	Rivets for Handle (2 Required).....	All
4.....	900322.....	Lever	All
5.....	900919.....	Handle	All
6.....	200095.....	Pull Pin & Cord.....	All
7.....	900036.....	Tamper Seal	All
8.....	455202.....	Elbow with O-Ring	10, 15, & 20 lb.
	450202.....	Elbow with O-Ring	5 lb.
9.....	900331.....	Elbow O-Ring	All
10.....	200081.....	Safety Disk, Gasket & Nut Assembly.....	All
11.....	900329.....	Neck O-Ring	All
12.....	900321.....	Valve Stem- No O-Ring.....	All
13.....	900328.....	Stem O-Ring.....	All
14.....	900319.....	Spring	All
15.....	450239.....	Siphon Tube Retainer	All
16.....	450240.....	Siphon Tube- 12 5/8".....	5 lb.
	455240.....	Siphon Tube- 15 1/8".....	10 lb.
	460240.....	Siphon Tube- 21 5/16".....	15 & 20 lb.
17.....	700324.....	Hose Band.....	10 lb.
	700323.....	Hose Band.....	15 lb.
	700325.....	Hose Band.....	20 lb.
18.....	700100.....	Hose Clip (includes screw, nut, & spacer).....	10, 15, & 20 lb.
19.....	900310.....	Swivel- Discharge Tube.....	5 lb.
20.....	900313.....	Horn	5 lb.
	900314.....	Horn	10, 15, & 20 lb.
21.....	453231.....	Hose/Nozzle Assembly.....	10, 15, & 20 lb.
22.....	900316.....	Retaining Pin.....	10, 15, & 20 lb.
23.....	700203.....	Wall Hook (5" to 5 1/4" Dia Cylinder) ..	5 lb.
	700247.....	Wall Hook (6 1/2" - 7 1/4" Dia Cylinder) ..	10 & 15 lb.
	700249.....	Wall Hook (8" Dia Cylinder)	20 lb.
24.....	Varies.....	Mylar Label- Non-UL	Specify Model



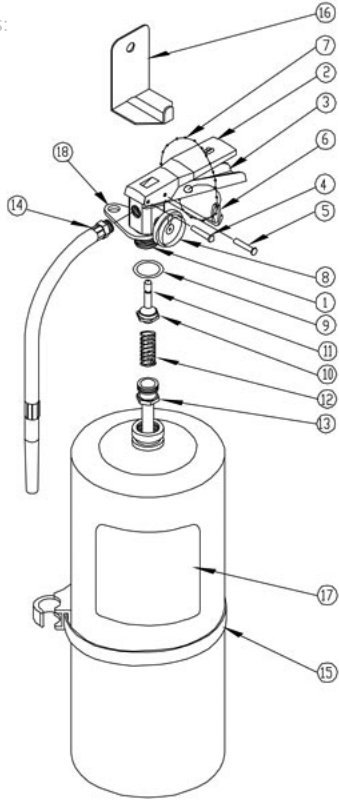
DRY chemical - small handle & lever

Fig.#	Part Number	Description	Model
1.....	100204.....	Valve Assy.-No Gauge or Hookeye.....	Aluminum Cylinders
	100020.....	Valve Assy.-No Gauge or Hookeye.....	Steel Cylinders
	100025.....	Valve Assy.-No Gauge.....	Steel Cylinders w/Wall Hook
2.....	900209.....	Small Lever.....	Aluminum Cylinders
	900217.....	Small Lever.....	Steel Cylinders
3.....	900225.....	Small Handle.....	Aluminum Cylinders
	900218.....	Small Handle.....	Steel Cylinders
4.....	900050.....	Rivet for Lever.....	All
5.....	900049.....	Rivet for Handle.....	All
6.....	200096.....	Pull Pin & Cord.....	All
7.....	900036.....	Tamper Seal	All
8.....	900018.....	Gauge- 100 psi; Dry Chemical	All
9.....	900004.....	Neck O-Ring	Aluminum Cylinders
	900001.....	Neck O-Ring	Steel Cylinders
10.....	103215.....	Valve Stem w/O-Ring	All
11.....	900002.....	Stem O-Ring.....	All
12.....	900105.....	Spring	All
13.....	900958.....	Siphon Tube/Nut Assembly.....	2 STD & 2 PK-100
	900959.....	Siphon Tube/Nut Assembly.....	All Aluminum Cylinders
	900961.....	Siphon Tube/Nut Assembly.....	M5 ABC II-100
	900985.....	Siphon Tube/Nut Assembly.....	All 2.5 Steel Cylinders
14.....	101125.....	Fixed Nozzle .120	2 STD-100
	101145.....	Fixed Nozzle .140	2.5 ABC-100 & 2.5 STD-100
	111225.....	Fixed Nozzle .144	2.5 PK-100
	110125.....	Fixed Nozzle .12	52.5 SA-ABC
	101120.....	Fixed Nozzle .120	2.5 SA-PK
	101118.....	Fixed Nozzle .118	2.5 SA-STD
	191116.....	Fixed Nozzle .116	2 PK
15.....	107250.....	Hose/Nozzle Assembly .161.....	M5 ABC (Not Shown)
16.....	700340.....	Hose Band.....	M5 (Not Shown)
17.....	Varies.....	Label, Non-UL.....	Specify Model



Dry Chemical Models:

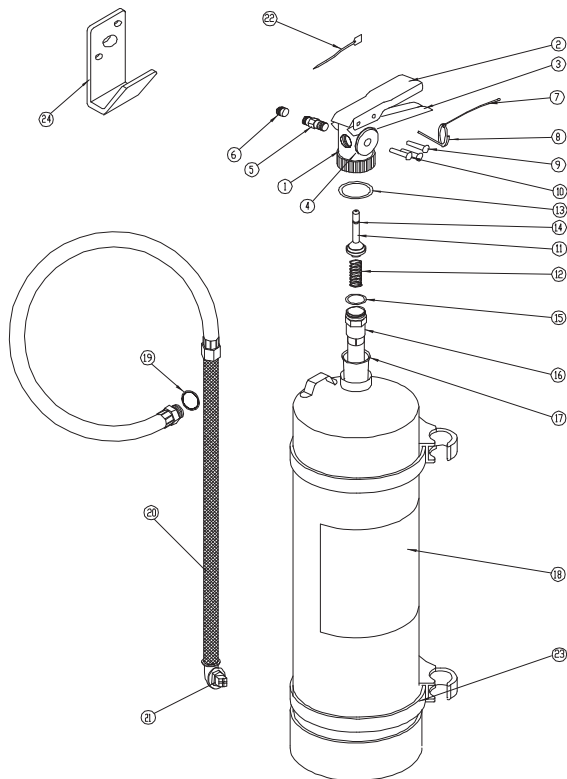
- 5HI-SA40-ABC
- 5HI-SB40-ABC
- 5HI-SA-PK
- 5.5HI-SA40-STD
- 10HI-SA80-ABC
- 10HI-SB80-ABC
- 10SHI-SA-ABC
- 10THI-SA80-ABCK
- 10THI-SB80-ABC
- 10SHI-SA-PK
- 10HI-SA-PK
- 10HI-SB-PK
- 10HI-SA-STD
- 20SHI-SA-ABC
- 20SHI-SB-ABC
- 20SHI-SA-STD
- 20SHI-SA-PK
- 20SHI-SB-PK
- 30SHI-SB-ABC
- 30SHI-SB-PK



DRY chemical - large handle & lever

Fig.#	Part Number	Description	Model
1	149207	Valve Assy.-No Gauge-Aluminum	All SA units
	149307	Valve Assy.-No Gauge-Brass	All SB units
	149220	Valve Assy.-No Gauge or Hookeye-Aluminum	5 & 5.5 lb. V/B units
2	900210	Large Lever- Aluminum	All SA units
	900214	Large Lever- Stainless Steel	All SB units
3	900228	Large Handle- Aluminum	All SA units
	900232	Large Handle- Stainless Steel	All SB units
4	900050	Rivet for Lever- Aluminum	All SA units
	900053	Rivet for Lever- Stainless Steel	All SB units
5	900049	Rivet for Handle- Aluminum	All SA units
	900052	Rivet for Handle- Stainless Steel	All SB units
6	200096	Pull Pin & Cord	Units < 6 lbs
	200095	Pull Pin & Cord	Units > 6 lbs
7	900036	Tamper Seal	All
8	900026	Gauge- 195 psi	All
9	900001	Neck O-Ring	All
10	103215	Valve Stem with O-Ring	All
11	900002	Stem O-Ring	All
12	900105	Spring	All
13	900960	Siphon Tube Assembly	All 5 & 5.5 units
	900962	Siphon Tube Assembly	All 10S units
	900971	Siphon Tube Assembly	All 10 units
	900963	Siphon Tube Assembly	All 10T units
	900972	Siphon Tube Assembly	All 20S units
	900974	Siphon Tube Assembly	All 30S units
14	109267	Hose/Nozzle Assembly .128	5HI-SA40-ABC
	109287	Hose/Nozzle Assembly .128	5HI-SB40-ABC
	112237	Hose/Nozzle Assembly .173	5HI-SA-PK
	109276	Hose/Nozzle Assembly .144	5.5HI-SA40-STD
	113277	Hose/Nozzle Assembly .144	10 & 10T HI-SA80-ABC
	116200	Hose/Nozzle Assembly .157	10SHI-SA-ABC
	113287	Hose/Nozzle Assembly .161	10HI-SB80-ABC
	113273	Hose/Nozzle Assembly .144	10THI-SB80-ABC
	113235	Hose/Nozzle Assembly .161	10SHI-SA-STD
	118237	Hose/Nozzle Assembly .177	10HI-SA-STD
	126237	Hose/Nozzle Assembly .136	10SHI-SA-PK
	117237	Hose/Nozzle Assembly .154	10HI-SA-PK
	113332	Hose/Nozzle Assembly .154	10HI-SB-PK
	126216	Hose/Nozzle Assembly .180	20SHI-SA-ABC
	126226	Hose/Nozzle Assembly .180	20SHI-SB-ABC
	126202	Hose/Nozzle Assembly .188	20SHI-SA-PK
	126204	Hose/Nozzle Assembly .188	20SHI-SB-PK
	126203	Hose/Nozzle Assembly .157	20SHI-SA-STD
	126233	Hose/Nozzle Assembly .250	30S ABC & PK
15	300492	Hose Band	5 & 10 lb. units
	300489	Hose Band	10S, 20S, & 30S
16	700202	Wall Hook	All 5 & 5.5 units
	700203	Wall Hook	All 10 units
	700204	Wall Hook	All 10S & 10T units
	700247	Wall Hook	All 20S & 30S units
17	Varies	Label- Non-UL	Specify Model
18	700201	Hookeye	All

Water Mist



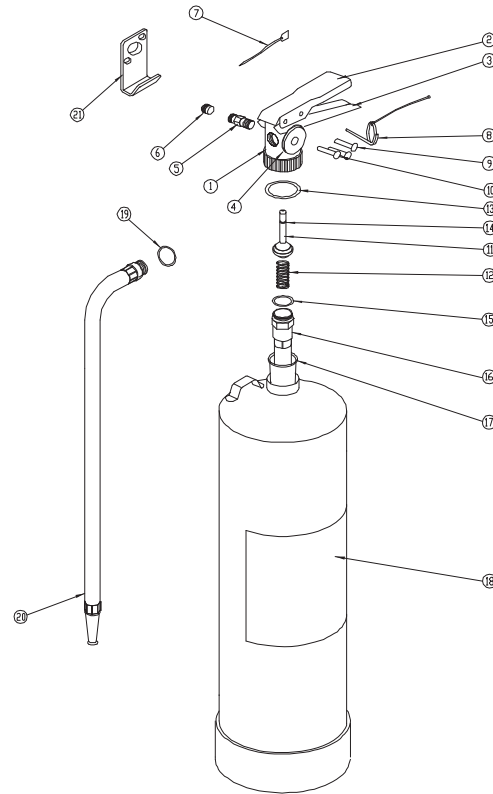
WATER mist

Fig.#	Part Number	Description
1	Valve001	Valve Body Assembly
2	900322	Lever
3	900919	Handle
4	Gauge001	Gauge
5	900133	Schrader Valve w/Cap
6	900136	Schrader Valve Cap
7	900300	Pull Pin Cord
8	900040	Non-magnetic Stainless Steel Pull Pin
9	900052	Handle Rivet (2 required)
10	900053	Lever Rivet
11	900921	Valve Stem Assembly w/O-Ring
12	900928	Spring
13	900916	Valve Body O-Ring
14	900925	Valve Stem O-Ring
15	900930	Discharge Tube O-Ring
16	300464	Discharge Tube w/O-Ring
17	900912	Fill tube
18	Varies	Label, Non-UL
19	900941	Hose O-Ring
20	WM250DA	Discharge Assembly
21	NOZ002WMA	Nozzle Assembly
22	900036	Tamper Seal
23	300489	Hose Band
24	900937	Stainless Steel Wall Hanger

WATER units

Fig.#	Part Number	Description
1	Valve001	Valve Body Assembly
2	900322	Lever
3	900919	Handle
4	Gauge001	Gauge
5	900133	Schrader Valve w/Cap
6	900136	Schrader Valve Cap
7	900036	Tamper Seal
8	200095	Pull Pin & Cord
9	900052	Handle Rivet (2 required)
10	900053	Lever Rivet
11	900921	Valve Stem Assembly w/O-Ring
12	900928	Spring
13	900916	Valve Body O-Ring
14	900925	Valve Stem O-Ring
15	900930	Discharge Tube O-Ring
16	300464	Discharge Tube w/O-Ring
17	900912	Fill tube
18	Varies	Label, Non-UL
19	900941	Hose O-Ring
20	SHA10027	Hose Assembly
21	900935	Wall Hanger

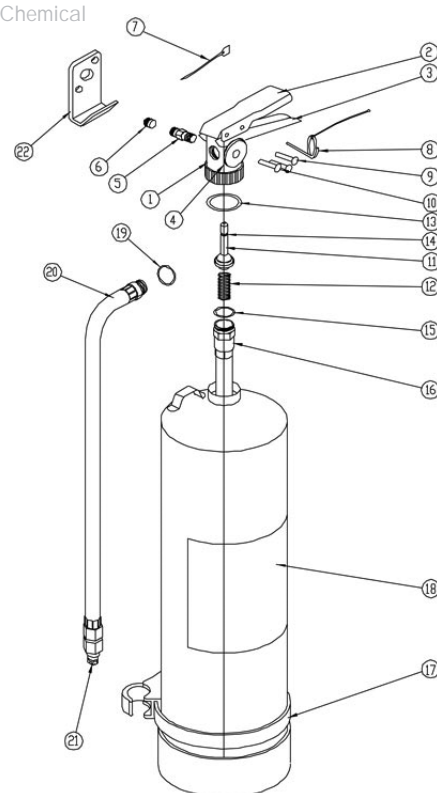
Water Unit



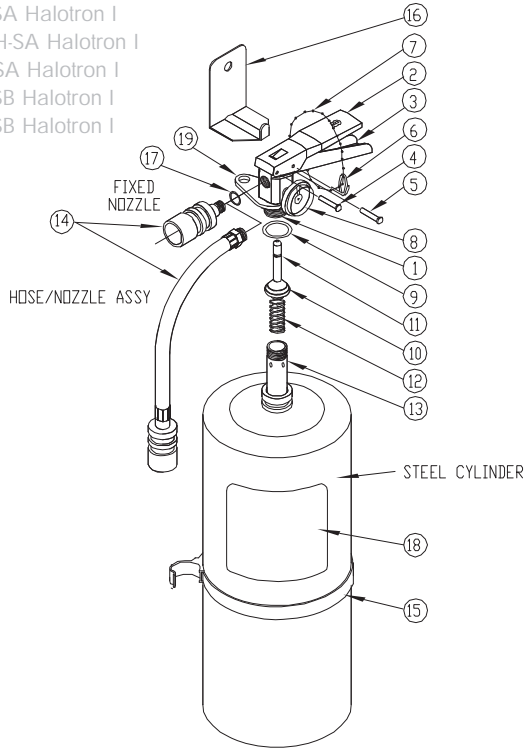
WET chemical

Fig.#	Part Number	Description
1	900913	Valve Body Assembly
2	900322	Lever
3	900919	Handle
4	900920	Gauge
5	900133	Schrader Valve w/Cap
6	900136	Schrader Valve Cap
7	900036	Tamper Seal
8	200095	Pull Pin & Cord
9	900052	Handle Rivet (2 required)
10	900053	Lever Rivet
11	900921	Valve Stem Assembly w/O-Ring
12	900928	Spring
13	900916	Valve Body O-Ring
14	900925	Valve Stem O-Ring
15	900930	Discharge Tube O-Ring
16	300465	Discharge Tube w/O-Ring
17	300489	Hose Band
18	Varies	Label, Non-UL
19	900941	Hose O-Ring
20	WC6LDA	Discharge Assembly w/Nozzle & O-Ring
21	NOZ00	WCA Nozzle Assembly
22	900935	Wall Hanger
23	900747	Class K Sign (Not Shown)

Wet Chemical



Halotron Models:
 2.5F-SA Halotron I
 5F-SA Halotron I
 11-SA Halotron I
 15-SA Halotron I
 2.5H-SA Halotron I
 5H-SA Halotron I
 11-SB Halotron I
 15-SB Halotron I



HALOTRON

Fig.#	Part Number	Description	Model
1	200020G	Valve Assy., No Gauge or Hookeye, Alum.	2.5 lb. w/VB
	149207G	Valve Assy., No Gauge, Alum.	5, 11, 15 SA except 5 lb. w/VB
	149307	Valve Assy., No Gauge, Brass	11 & 15 SB
	200025G	Valve Assy., No Gauge	2.5 lb. w/Wall Hook
	149220G	Valve Assy., No Gauge or Hookeye, Alum.	5 lb. w/VB
2	900217	Small Lever	2.5 lb.
	900210	Large Lever, Aluminum	5, 11, & 15 SA
	900214	Large Lever, Stainless Steel	11 & 15 SB
3	900218	Small Handle	2.5 lb.
	900228	Large Handle, Aluminum	5, 11, & 15 SA
	900232	Large Handle, Stainless Steel	11 & 15 SB
4	900050	Rivet for Aluminum Lever	All SA Units
	900053	Rivet for Stainless Steel Lever	All SB Units
5	900049	Rivet for Aluminum Handle	All SA Units
	900052	Rivet for Stainless Steel Handle	All SB Units
6	200096	Pull Pin Cord Assembly	Units 5 lb. or less
	200095	Pull Pin Cord Assembly	Units over 5 lb.
7	900034G	Tamper Seal	All
8	900017	Gauge, 100 psi	2.5, 5, & 11 lb. Units
	900025	Gauge, 125 psi	15 lb. unit
9	900013	Neck O-Ring	All Units
10	103216	Valve Stem w/O-Ring	All Units
11	900002	Stem O-Ring	All Units
12	900105	Spring	All Units
13	402130G	Siphon Tube, 3/4" x 12 5/16"	5 lb. Units
	410255G	Siphon Tube, 3/4" x 13 9/16"	11 & 15 lb. Units
	401255G	Siphon Tube, 3/4" x 9 3/8"	2.5 lb. Units
14	116128G	Fixed Nozzle, .128	2.5 Fixed
	116197G	Fixed Nozzle, .197	5 Fixed
	113355G	Hose/Nozzle Assembly, .140	2.5 lb. Hose
	113356G	Hose/Nozzle Assembly, .228	5 lb. Hose
	113357G	Hose/Nozzle Assembly, .302	11 lb. Hose (Alum.)
	113358G	Hose/Nozzle Assembly, .401	15 lb. Hose (Alum.)
	113359G	Hose/Nozzle Assembly, .401	15 lb. Hose (Brass)
15	300492	Hose Band	2.5 and 5 lb. Units
	300489	Hose Band	11 & 15 lb. Units
16	700202	Wall Hook	2.5 & 5 lb. Units
	700247	Wall Hook	11 & 15 lb. Units
17	899200	Hose/Nozzle O-Ring	All
18	Varies	Mylar Label, Non-UL	Specify Model



QUIK-seals

Part #	Description
78195.....	218 Pipe Quik-Seal Adaptor, 1/4" (each)
78186.....	221 Pipe Quik-Seal Adaptor, 1/4", Pkg. 24
550857.....	170 Pipe Quik-Seal Adaptor, 3/8" (each)
550858.....	173 Pipe Quik-Seal Adaptor, 3/8", Pkg. 24
550859.....	171 Pipe Quik-Seal Adaptor, 1/2" (each)
550860.....	174 Pipe Quik-Seal Adaptor, 1/2", Pkg. 24
550861.....	172 EMT Quik-Seal Adaptor, 3/4" (each)
550862.....	175 EMT Quik-Seal Adaptor, 3/4", Pkg. 24
550863.....	213 EMT Quik-Seal Adaptor, 1" (each)
550864.....	216 EMT Quik-Seal Adaptor, 1", Pkg. 12

QUIK-patches

Part #	Description
285.....	For 3/4" to 7/8" Hole (each)
288.....	For 3/4" to 7/8" Hole, Pkg. 24
916.....	For 7/8" to 1" Hole (each)
919.....	For 7/8" to 1" Hole, Pkg. 24
205.....	For 1 1/8" to 1 5/16" (each)
211.....	For 1 1/8" to 1 5/16", Pkg. 24
689.....	For 1 3/8" to 1 9/16" (each)
690.....	For 1 3/8" to 1 9/16", Pkg. 24
694.....	For 1 5/8" to 1 7/8" (each)
695.....	For 1 5/8" to 1 7/8", Pkg. 24

COMPRESSION seals

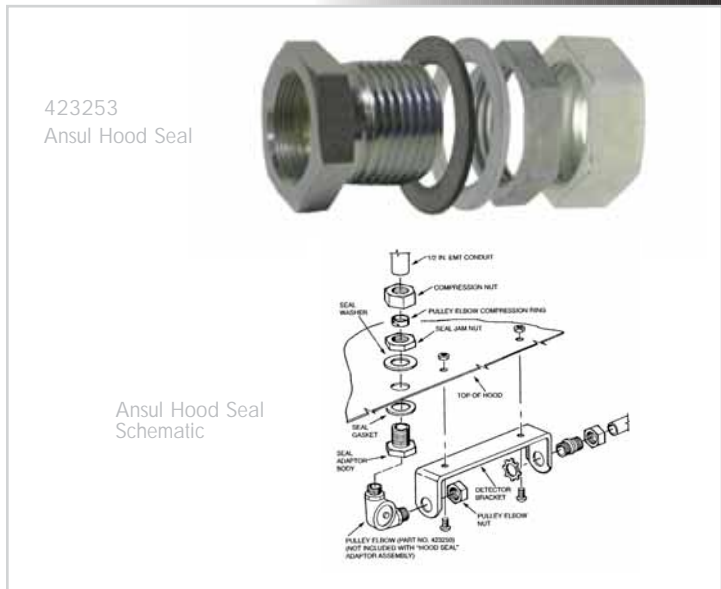
Part #	Description
79149.....	311 - 1/2" Tube & 1/4" Pipe (each) (not shown)
79151.....	312 - 5/8" Tube & 3/8" Pipe (each) (not shown)
79153.....	313 - 1/2" EMT Conduit (each) (not shown)
79147.....	315 - 3/4" Pipe (each) (not shown)

ANSUL HOOD seal

Part #	Description
423253.....	Ansul hood seal adaptor assembly, use with corner pulley or run conduit directly through it (see schematic on this page)

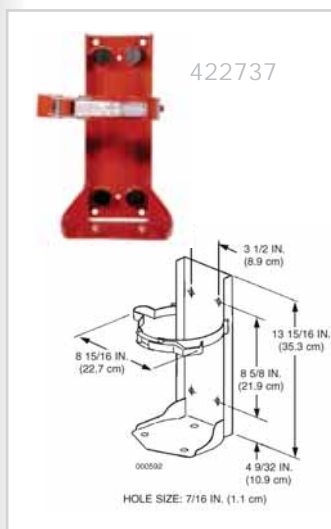
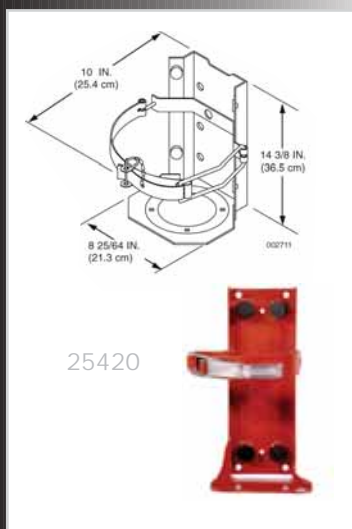
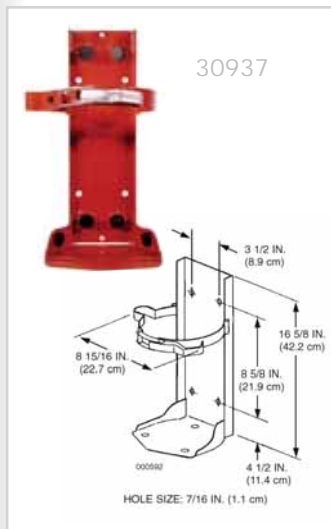
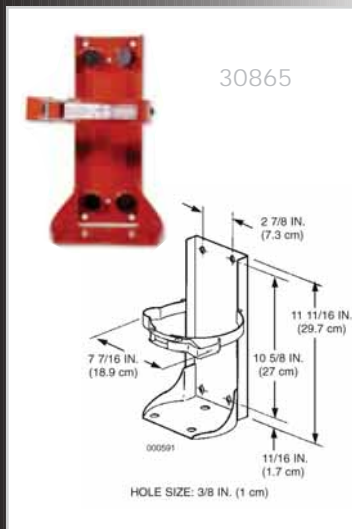
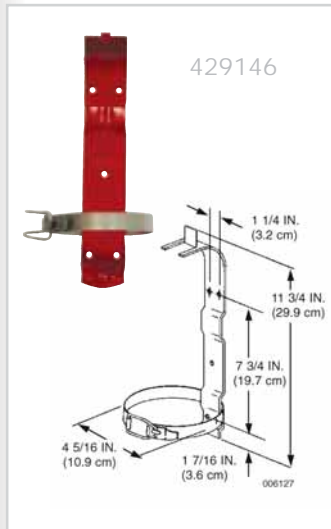
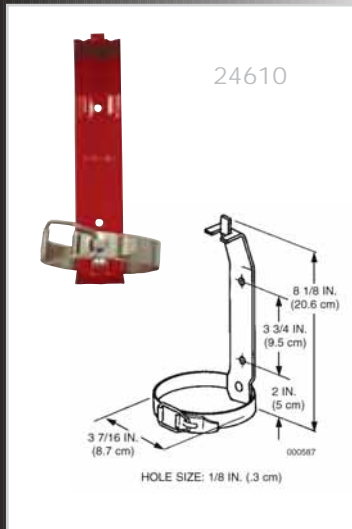
MANUALS

Part #	Description
PYROA.....	Attendant I & II Manual
555565.....	Monarch Manual (3) 551229, 550387, & 551228 all in one 3 ring binder
551274-5.....	Kitchen Knight II System Manual
024327.....	Ansul A-101 Vehicle Manual
418087.....	Ansul R-102 Manual (UL- 300)
417743.....	Ansul IND X Manual
60-9127100-000Range Guard Manual (spiral bound)
20150.....	Amerex Manual
423385.....	Ansul Piranha Manual



SENTRY

extinguisher brackets



SENTRY® dry chemical, CO2 & Cleanguard®

Part #	Fits Part Number
24610	429101, 429107
429146	429001, 429102, 429002, 429103, 429008, 429014, 429020, 434732

30865	429003, 429009, 429015
30937	429006, 429011, 429017, 429022, 434747
25419	SPECIAL ORDER (Not Shown) 431569, 431553
79456	SPECIAL ORDER (Not Shown) 431570, 431571, 431554, 431555

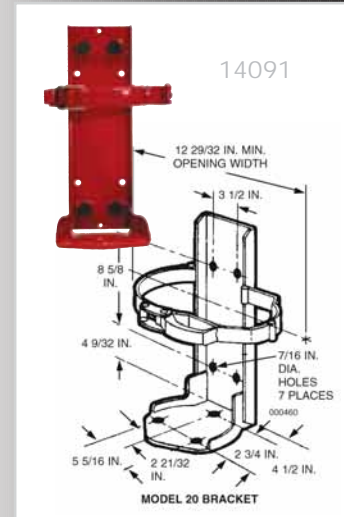
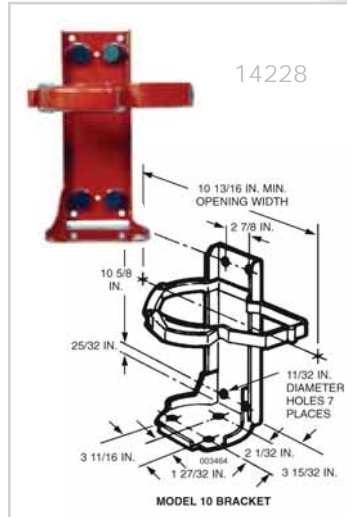
25420	431572, 431556
422737	429021
435793	436500 (Not Shown)



Distributed by
www.Ameraproducts.com
 Phone: (800) 608-6568
 Fax: (409) 840-5545
info@ameraproducts.com

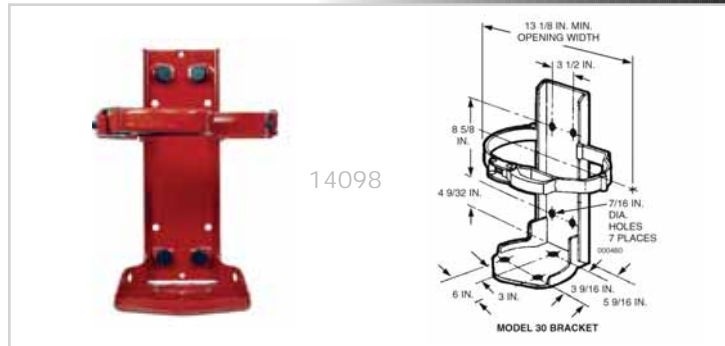
RED LINE cartridge - operated extinguisher brackets

Part #	Description
14228	Model 10, Standard Finish
14091	Model 20, Standard Finish



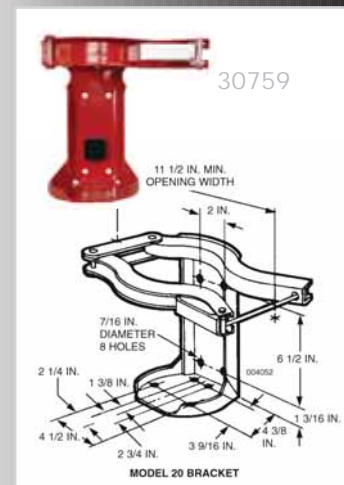
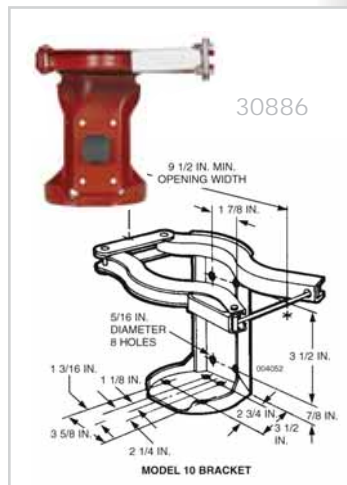
14098Model 30, Standard Finish

53337	Model 10, CR Finish, SPECIAL ORDER
53352	Model 20, CR Finish, SPECIAL ORDER
53548	Model 30, CR Finish, SPECIAL ORDER



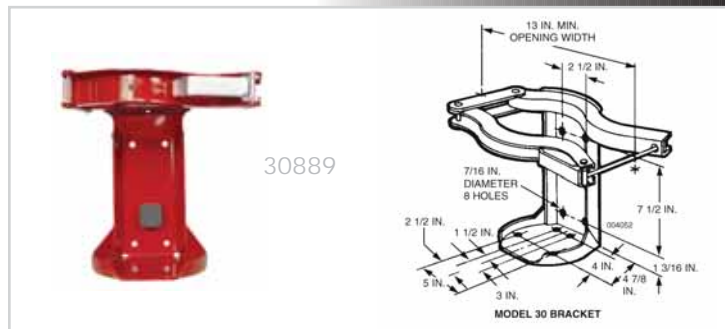
30886Model 10, Standard Finish

30759Model 20, Standard Finish



30889Model 30, Standard Finish

53344	Model 10, CR Finish, SPECIAL ORDER
53362	Model 20, CR Finish, SPECIAL ORDER
53370	Model 30, CR Finish, SPECIAL ORDER





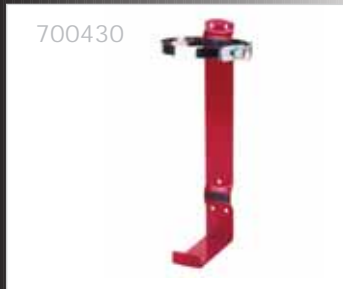
700287



700270



700260



700430



700224
700226
700228
700229
700230



700202



700203



700204



700247



700249



90035
900937

EXTINGUISHER brackets

- | Part # | Description |
|--------|---|
| 700287 | ...2.5 lb. Dry Chemical, Halotron & MiniGuard (horizontal) |
| 700270 | ...5 lb. & 5.5 lb. Dry Chemical, Halotron & MiniGuard (horizontal) |
| 700260 | ...5 lb. & 5.5 lb. Dry Chemical and Halotron |
| 700430 | ...10 lb. Tall Dry Chemical |
| 700224 | ...5 lb. & 5.5 lb. Dry Chemical, Halotron & MiniGuard (horizontal) |
| 700226 | ...10 lb. Tall Dry Chemical, MiniGuard (horizontal) and 5 lb. CO2 |
| 700228 | ...10 lb. & 15 lb. CO2, 11 lb. & 15 lb. Halotron, 2.5 Gal. Water & Water Mist |
| 700229 | ...20 lb. & 30 lb. Dry Chemical, 30 lb. Class D, 18 lb., 20 lb. & 25 lb. MiniGuard (horizontal) |
| 700230 | ...10 lb. Short Dry Chemical |

WALL extinguisher hooks

- | Part # | Description |
|--------|--|
| 700202 | ...2.5 lb., 5 lb. & 5.5 lb. Dry Chemical and Halotron |
| 700203 | ...10 lb. Tall Dry Chemical and 5 lb. CO2 |
| 700204 | ...10 lb. Short Dry Chemical |
| 700247 | ...20 lb. & 30 lb. Dry Chemical, 10 lb. & 15 lb. CO2, 11 lb. & 15 lb. Halotron |
| 700249 | ...20 lb. CO2 |
| 900935 | ...Wet Chemical & Water |
| 900937 | ...Water Mist (Stainless Steel) |

BUCKEYE® FOAM



FOAM agents

- | Part # | Description |
|----------|-------------------------------|
| BFC-1.1 |Platinum 1% AFFF |
| BFC-3.1 |Platinum 3% AFFF |
| BFC-6.1 |6% AFFF |
| BFC-33.1 |Platinum 3% x 3% AR-AFFF |
| BFC-36.1 |Platinum 3% x 6% AR-AFFF |
| BFC-3LT |3% Low Temp. AFFF |
| BFC-36LT |3%-6% Low Temp. AR-AFFF |
| BFC-CA.1 |Platinum Class A |
| BFC-HX |2.2% High Expansion |
| BFC-3MS |3% Mil Spec. AFFF |
| BFC-VF |Virtual Foam |

Distributed by
www.AmeraProducts.com
 Phone: (800) 608-6568
 Fax: (409) 840-5545
 info@ameraproducts.com

ANSUL® FOAM products

FOAM agents

- | Part # | Description |
|------------|---|
| 55800..... | 5 Gal. Pail - 3% AFFF Concentrate (AFC-3-A) |
| 55809..... | 55 Gal. Drum - 3% AFFF Concentrate (AFC-3-A)
(Not Shown) |
| 68120..... | 5 Gal. Pail - Premium 6% AFFF Concentrate
Mil Spec. (AFC-5) |
| 68121..... | 55 Gal. Drum - Premium 6% AFFF Concentrate
Mil Spec. (AFC-5) (Not Shown) |
| 75451..... | 5 Gal. Pail - Class A Fire Control Concentrate |
| 75452..... | 55 Gal. Drum - Class A Fire Control Concentrate
(Not Shown) |
| 054391... | 5 Gal. Pail - Ansulite 6%, AFFF (AFC-3) |
| 05392..... | 55 Gal. Drum - Ansulite 6%, AFFF (AFC-3)
(Not Shown) |



L&J EXTINGUISHER CABINETS

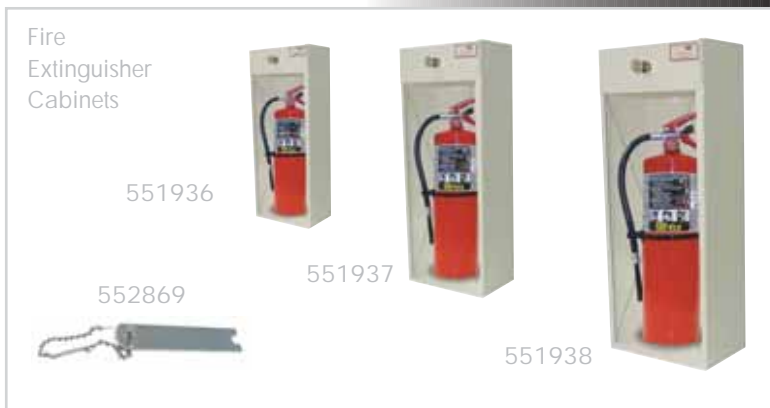
LARSEN'S & CATO cabinets

- | Part # | Description |
|--------------------|---|
| 2409-SM..... | 5 lb./10 lb. surface mount cabinet with steel white baked enamel finish |
| AL2409-R3 | 5 lb. semi-recessed with brushed aluminum finish |
| 2409-R3 | 5 lb. semi-recessed with steel white baked enamel finish (Not Shown) |
| 2409-6R..... | 10 lb. semi-recessed with steel white baked enamel finish (Not Shown) |
| Centurion 10 | Construction cabinet fits most 10 lb. units |
| Centurion 20 | Construction cabinet fits most 20 lb. units |
| 105-5 RRC-H..... | 5 lb. Cato Cabinet With Hammer |
| 105-10 RRC-H.... | 10 lb. Cato Cabinet With Hammer |
| 105-20 RRC-H.... | 20 lb. Cato Cabinet With Hammer
(Not Shown) |
| 10575 | 5 lb. Clear CATO Glass Pull Panel |
| 11075 | 10 lb. Clear CATO Glass Pull Panel |
| 12075 | 20 lb. Clear CATO Glass Pull Panel |



- Surface Mounted Steel Cabinets
- Heavy Durable 18 Gauge Steel
- Glossy White Powder-Coated Polyester Finish For Corrosion Protection
- Breaker Bar Not Included

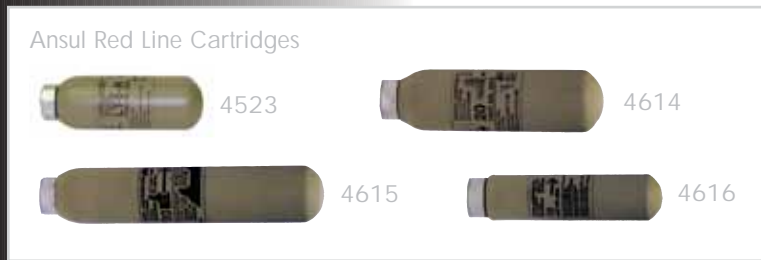
- | Part # | Description |
|--------------|--|
| 551936 | FXC-05T (5" x 8" x 20.5")
Fits 2.5 - 6 lb. Extinguisher |
| 551937 | FXC-10 (6.25" x 10.5" x 24")
Fits 9 - 10 lb. Extinguisher |
| 551938 | FXC-20 (9" x 14.2" x 30.25")
Fits 13 - 20 lb. and 2.5 Gal. Extinguisher |
| 552869 | Breaker Bar |



L&J FIRE EQUIPMENT

miscellaneous products

Distributed by
www.Ameraproducts.com
 Phone: (800) 608-6568
 Fax: (409) 840-5545
 info@ameraproducts.com



ANSUL red line cartridges

Part #	Description
4523.....	5 lb. CO2 Red Line Cartridge
4614.....	20 lb. Red Line Cartridge
4615.....	30 lb. Red Line Cartridge
4616.....	10 lb. Red Line Cartridge

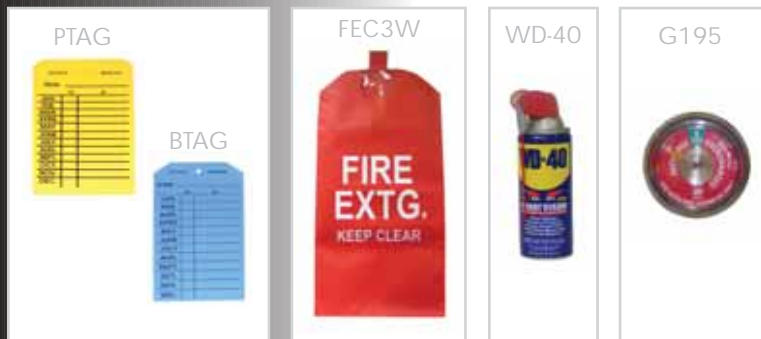


SIGNS

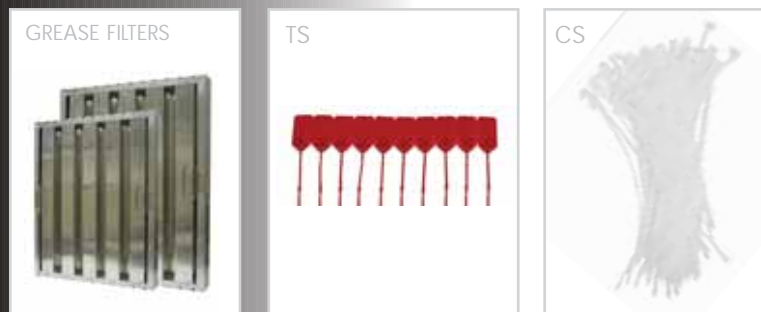


Part #	Description	LxH
S106.....	Caution.....	5"x2"
PS182	Fire Extinguisher Arrow 3D Plastic	5"x6"

AS108....	Fire Extinguisher Arrow ALM	4"x12"
AS109....	Fire Extinguisher Arrow ALM	4"x18"
AS114....	Fire Extinguisher Arrow ALM	8"x12"
S105.....	Fire Extinguisher Inside Vinyl	4"x4"
S108.....	Fire Extinguisher Arrow Vinyl.....	4"x12"
S109.....	Fire Extinguisher Arrow Vinyl.....	4"x18"
S123.....	Warning \$500 Fine Vinyl	4"x4"



PTAG.....	Plastic Inspection Tag
BTAG.....	Blue Hanging Inspection Tag
EC3W	Fire Extinguisher Cover With Window 32"H x 16"W
WD-40 ...	WD-40 Lubricant Spray
G195.....	Standard Pressure Gauge



ALUMINUM grease filters

A1620 ...	16" x 20" Aluminum Hood Filter
A2020 ...	20" x 20" Aluminum Hood Filter
SS1620 ..	16" x 20" Stainless Steel Hood Filter
SS2020 ..	20" x 20" Stainless Steel Hood Filter
TS	Tamper Seals (Available In Red, Black, Yellow, Green, Blue, White)
CS.....	Tamper Seals (Clear Seals)



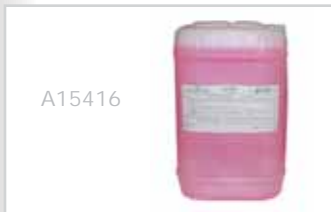
NPP.....	Pull Pin
----------	----------



Distributed by
www.AmeraProducts.com
Phone: (800) 608-6568
Fax: (409) 840-5545
info@ameraproducts.com

Distributed by
www.AmeraProducts.com
Phone: (800) 608-6568
Fax: (409) 840-5545
info@ameraproducts.com

Distributed by
www.AmeraProducts.com
Phone: (800) 608-6568
Fax: (409) 840-5545
info@ameraproducts.com



AMEREX chemicals

Part # Description
 A550.....ABC Powder 50 lb. Pail

A512.....BC Powder 50 lb. Pail

A515.....PK Powder 50 lb. Pail

A530.....Wet Recharge 6 Liter

A502.....AFFF Recharge 8 1/2 oz.

A12866.....KP Recharge 2.75

A17450.....KP Recharge 3.75

A15416.....KP Recharge 4.75

A16924.....KP Recharge 6.14

BUCKEYE chemicals

Part # Description
 61200.....PK Powder 50 lb. Pail

61000.....ABC Powder 50 lb. Pail

61400.....STD Powder 50 lb. Pail

62000.....CLASS D Powder 50 lb. Pail



SPARE R-102 parts

Part #	Description
77695.....	Blow-Off Caps Rubber, Pkg. 50
433208.....	Blow-Off Caps Metal, Charbroiler, Pkg. 10

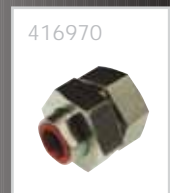
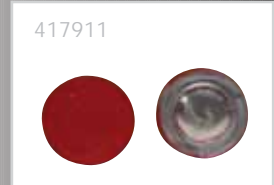
56909.....O-Ring R-102 Tank

417911.....R-102 Bursting Discs, Pkg. 10

56972.....Regulator Test Kit

68800.....Vent Plug

416970.....R-102 Union (with bursting disc)



**REPLACE 1/4" Black pipe
 WITH UL listed BRAIDED HOSES**

BRAIDED hoses

Part #	Description
417582.....	8" Braided, Actuation Hose
31809.....	16" Braided, Actuation Hose
32335.....	20" Braided, Actuation Hose
32336.....	24" Braided, Actuation Hose
430815.....	42" Braided, Actuation Hose



R-102 regulator

Part #	Description
79318.....	Regulator, R-102, Pressure Tested (110psi)

CARTRIDGES

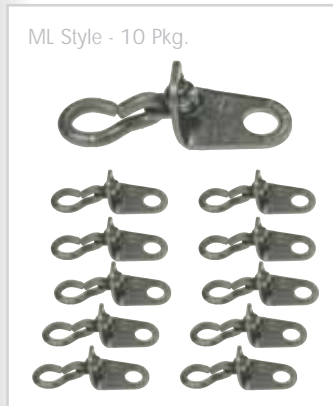
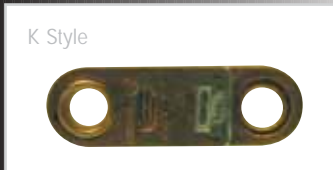
Part #	Description
15850.....	Cartridge, Carbon Dioxide, (Figure A) 101-10 (25/carton)
17492.....	Cartridge, Carbon Dioxide, (Figure B) 101-20 (16/carton)
15851.....	Cartridge, Carbon Dioxide, (Figure C) 101-30 (16/carton)
7032.....	Cartridge, Nitrogen, (Figure D) LT-20-R (RHT) (16/carton)
5373.....	Cartridge, Nitrogen, (Figure E) LT-30-R (RHT) (16/carton)
73022.....	Cartridge, Nitrogen, (Figure F) R-102 Double Tank
29187.....	Cartridge, Nitrogen, (Figure G) LTA-101-30 Veh. Sys.



ANSUL[®] R-102

system parts

Distributed by
www.Ameraproducts.com
 Phone: (800) 608-6568
 Fax: (409) 840-5545
info@ameraproducts.com



DETECTORS

Part #	Description
435546SS Detector, Terminal (Scissor Linkage)
435547SS Detector, Series (Scissor Linkage)

435548SS Detectors, Series, Pkg. 25 (Scissor Linkage)
--------	--

Part #	Description
435545SS Scissor Linkage

FUSIBLE links

Part #	Description
415739Fusible Link, 165°, (Single) K-STYLE
415740Fusible Link, 212°, (Single) K-STYLE
415744Fusible Links, 280°, (Pkg. 25) K-STYLE
415745Fusible Links, 360°, (Pkg. 25) K-STYLE
415746Fusible Links, 450°, (Pkg. 25) K-STYLE

551522Fusible Links, 165°, (Pkg. 10) ML-STYLE
551523Fusible Links, 212°, (Pkg. 10) ML-STYLE
551524Fusible Links, 280°, (Pkg. 10) ML-STYLE
551525Fusible Links, 360°, (Pkg. 10) ML-STYLE
551526Fusible Links, 450°, (Pkg. 10) ML-STYLE
73867Fusible Links, 500°, (Pkg. 25) ML-STYLE

Part #	Description
24916Test Links, Pkg. 10

ALARM bell

Part #	Description
24751ABAC-612 Bell, 6\", 120 VAC

SPARE parts

Part #	Description
436063SS Conduit Offsets, Pkg. 6

PULLEY elbow

Part # Description
 423250APulley Elbow, Compression Type, Single
 423251APulley Elbows, Compression Type, Pkg. 50

Part # Description
 415670APulley Elbow, Set Screw, Single
 415671APulley Elbows, Set Screw, Pkg. 50



PULLEY tee

Part # Description
 427929Pulley Tee

Part # Description
 435982Agent Distribution Hose



Part # Description
 434455Henny Penny Nozzle Assembly Kit



REMOTE pull stations & accessories

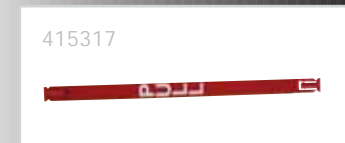
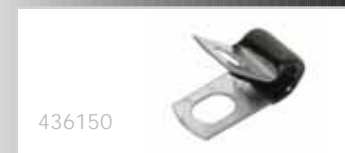
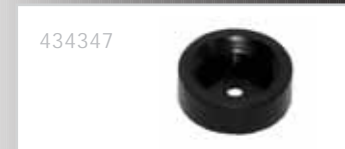
Part # Description
 79827Compression Union, 1/2"
 434347Flexible Conduit Inserts, Pkg. 50
 435979Flexible Conduit Strain Reliefs, Pkg. 50
 436150P-Clips, Pkg. 50

Part # Description
 434618Remote Pull Station, Red (without wire rope)

427074Trim Rings, Aluminum, Pkg. 10

Part # Description
 24915Break Rods, Pkg. 10 (use with Part Number 4835)

415317Break Away Seals, Pkg. 25 (use with Part Number 415255, old style plastic remote)

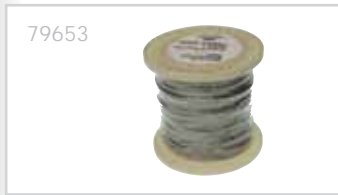


ANSUL® R-102 system parts

Distributed by
www.Ameraproducts.com
 Phone: (800) 608-6568
 Fax: (409) 840-5545
 info@ameraproducts.com



15821



79653

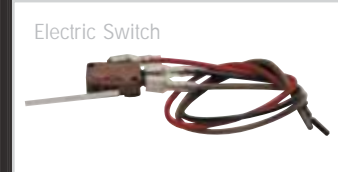


78942



416018

14995



Electric Switch



Electrical Gas Valve



Mechanical Gas Valve



426151



54256

69961

55847
(10 Pack)



15733



426890



418511



79007

WIRE rope

Part #	Description
15821	Wire Rope 50 ft.
79653	Wire Rope 500 ft.

CABLE lug & locking levers

Part #	Description
78942	Cable Lug Replacement for Ansul Automan Release
416018	Cocking Lever, Mechanical Gas Valve
14995	Cocking Lever (Mechanical/Electrical Automan)

ELECTRIC switches

Part #	Description
423878	Switch, Electric, SPDT
423879	Switch, Electric, DPDT
423880	Switch, Electric, 3PDT
423881	Switch, Electric, 4PDT
428311	Alarm Initiating Switch, SPDT

ELECTRIC gas valves

Part #	Description
13707	EGVSO-75 Gas Valve, Electrical, 3/4" Pipe
13708	EGVSO-100 Gas Valve, Electrical, 1" Pipe
550360	EGVSO-125 Gas Valve, Electrical, 1 1/4" Pipe
13709	EGVSO-150 Gas Valve, Electrical, 1 1/2" Pipe
13710	EGVSO-200 Gas Valve, Electrical, 2" Pipe
550363	EGVSO-250 Gas Valve, Electrical, 2 1/2" Pipe
17643	EGVSO-300 Gas Valve, Electrical, 3" Pipe
426151	Relay, Manual Reset, (120V, 60 Hz)

GAS valves

Part #	Description
55598	Gas Valve, Mechanical, 3/4"
55601	Gas Valve, Mechanical, 1"
55604	Gas Valve, Mechanical, 1 1/4"
55607	Gas Valve, Mechanical, 1 1/2"
55610	Gas Valve, Mechanical, 2"
25937	Gas Valve, Mechanical, 2 1/2"
25938	Gas Valve, Mechanical, 3"

54256	Gas Valve Cover (Top)
69961	Gas Valve Cover (Sides)
55847	Thread Cutting Screws, Pkg. 10

15733Air Cylinder and Tubing Assembly

426890Gas Valve, Conversion Kit

HOSES

Part #	Description
418511	Hose and Grommet Package
79007	Inside Actuation Hose

Distributed by
www.Ameraproducts.com
 Phone: (800) 608-6568
 Fax: (409) 840-5545
 info@ameraproducts.com

ANSUL[®] R-102 & PIRANHA[®] system parts

R-102 nozzles - single

Part #	Description
4193351N, (ea)
4193361W, (ea)
4193341/2N, (ea)
4193372W, (ea)
780782WH, (ea)
4193383N, (ea)
419339230, (ea)
419340245, (ea)
419341260, (ea)
419342290, (ea)
4193432120, (ea)
4193331F, (ea)
418569ASwivel Adaptor, (ea)

R-102 nozzle packages

Part #	Description
4193461N, Pkg. 25
4193471W, Pkg. 25
4193451/2N, Pkg. 9
4193482W, Pkg. 25
738302WH, Pkg. 25
4193493N, Pkg. 9.
419350230, Pkg. 25
419351245, Pkg. 25
419352260, Pkg. 9
419353290, Pkg. 9
4193542120, Pkg. 9
4193441F, Pkg. 9
423572ASwivel Adaptors, Pkg. 25



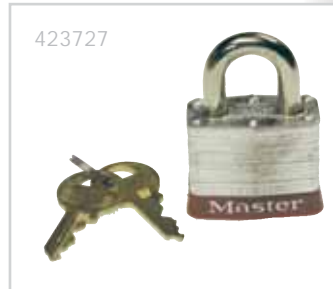
PIRANHA nozzles

Part #	Description
423480AP Nozzle
426093DL Nozzle

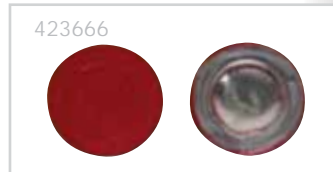


PIRANHA spare parts

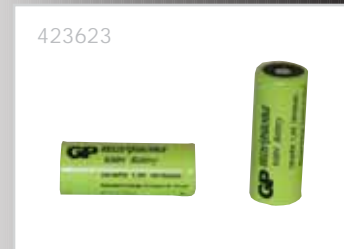
Part #	Description
423727Padlock, 2-Keys Per Lock (All Locks Keyed The Same)
423279Regulator, PIRANHA, Pressure Tested (150 psi)



Part #	Description
423666Bursting Discs, PIRANHA, Pkg. 10
423556Water Pressure Test Kit, PIRANHA



Part #	Description
431992Aiming Device Kit (Includes 551265,431186)
551265Nozzle Aiming Device, PIRANHA
431186Aiming Device Adaptor
423623Replacement Battery, Nozzle Aiming Device



Part #	Description
426294Automatic Water Shutdown Device, PIRANHA





CYLINDERS

Part #	Description
553163PCL-160 Agent Cylinder with Valve, 1.6 Gal.
551194PCL-300 Agent Cylinder with Valve, 3.0 Gal.
551193PCL-460 Agent Cylinder with Valve, 4.6 Gal.
551196PCL-600 Agent Cylinder with Valve, 6.0 Gal.



BRACKETS

Part #	Description
550053MB-1 Cylinder Mounting Brkt. - Fits PCL600
550054MB-15 Cylinder Mounting Brkt. - Fits PCL160, PCL300, PCL460

ENCLOSURES

Part #	Description
551208EN-MCU Enclosure with Mech. Control Unit
550966EN-S Enclosure for Secondary Cylinders



CONTROL heads

Part #	Description
551200MCH-Control Head, Mechanical, with Local Actuation
551201ECH-24 Control Head, Electrical, 24 VDC, with Local Actuation
551202ECH-120 Control Head, Electrical, 120 VAC, with Local Actuation
551203NMCH Control Head, Mechanical, No Local Actuation
551204NMCH-DPT Control Head Switch, Mechanical, No Local Actuation
551206NECH-24V Control Head, Electrical, 24 VDC, No Local Actuation
551207NECH-120V Control Head, Electrical, 120 VAC, No Local Actuation
551594ECH/SM-120 ECH-120 Control Head and SM120-System Circuit Monitor



REPLACEMENT cover plate

Part #	Description
550101NMCH Cover Plate Replacement

CONTROL head bracket

Part #	Description
550853MB-P2 Mounting Bracket, Control Head



SINGLE nozzles NOZZLE packages

Part #	Description	Part #	Description
1L.....	1L Single Nozzle	551026.....	1L Nozzles, Pkg. 10
2L.....	2L Single Nozzle	551027.....	2L Nozzles, Pkg. 10
1H.....	1H Single Nozzle	551029.....	1H Nozzles, Pkg. 10
2H.....	2H Single Nozzle	551028.....	2H Nozzles, Pkg. 10
2D.....	2D Single Nozzle	551038.....	2D Nozzles, Pkg. 10

SWIVEL adaptors

Part #	Description
418569P.....	Swivel Adaptor (single)
423572P.....	Swivel Adaptors, Pkg. 25

AIMING devices

Part #	Description
551265.....	Nozzle Aiming Device
550926.....	Aiming Device Adaptor

423623.....Replacement Battery, Nozzle Aiming Device

REMOTE pull stations & accessories

Part #	Description
79827.....	Compression Union, 1/2"
434347.....	Flexible Conduit Inserts, Pkg. 50
435979.....	Flexible Conduit Strain Reliefs, Pkg. 50
436150.....	P-Clips, Pkg. 50

Part #	Description
551074.....	RPS-M Remote Pull Station, Mechanical
551166.....	Pull Station, Dual Action, SPST
550088.....	RPS-MTR Trim Ring for Flush Mounting RPS-M
550527.....	RPS-M - Box
550299.....	RPS-EGR Glass Rods for RPS-E2, 2 1/4" L x 1/8" Dia., Pkg. 20
551709.....	RPS-MGR Glass Rods for RPS-M, Pkg. 20

FUSIBLE links & detectors

Part #	Description
550131.....	FLK-1 Fusible Link Kit with 10" Brkt.
550035.....	FLK-25 Fusible Link Kits with 10" Brkt., Pkg. 25

ALARM bell

Part #	Description
24751P.....	BAC-612 Bell, 6", 120 VAC



KITCHEN KNIGHT II

products

Distributed by
www.Ameraproducts.com
 Phone: (800) 608-6568
 Fax: (409) 840-5545
 info@ameraproducts.com



FUSIBLE links, detectors, & pulleys

Part #	Description
550876.....	FLH-25 Hanger, Fusible Links, Pkg. 25



Part #	Description
551522.....	FL-165 Fusible Links, 165°, Pkg. 10
551523.....	FL-212 Fusible Links, 212°, Pkg. 10
551524.....	FL-280 Fusible Links, 280°, Pkg. 10
551525.....	FL-360 Fusible Links, 360°, Pkg. 10
551526.....	FL-450 Fusible Links, 450°, Pkg. 10
551527.....	FL-500 Fusible Links, 500°, Pkg. 10



Part #	Description
13976.....	TD-225 Electric Thermal Detector, 225°
13975.....	TD-325 Electric Thermal Detector, 325°
13974.....	TD-450 Electric Thermal Detector, 450°
13971.....	TD-600 Electric Thermal Detector, 600°



Part #	Description
415670P.....	Corner Pulley Set Screw, Single
415671P.....	Corner Pulley Set Screws, 50 Pkg.

Part #	Description
423250P.....	Corner Pulley Compression, Single
423251P.....	Corner Pulleys Compression, 50 Pkg.



Part #	Description
550983	Corner Pulleys - Weather Resistant, 10 Pkg.
550984	Corner Pulleys - Weather Resistant, 150 Pkg.

427929Pulley Tee



Part #	Description
434525	Flexible Conduit 500 ft.



ACTUATING cylinders & cartridges

- Part # Description
 550104.....PAC-10 Pneumatic Actuating Cylinder
 551559.....PAC-10-PS Pneumatic Actuating Cylinder w/Pressure Switch
 551059.....CO2-6 (16 gram) Actuation Cartridges, Pkg. 6



GAS valves

- Part # Description
 550593.....GV-75 Gas Valve, Mechanical, Direct Cable Hookup, 3/4" Pipe
 550594.....GV-100 Gas Valve, Mechanical, Direct Cable Hookup, 1" Pipe
 550595.....GV-125 Gas Valve, Mechanical, Direct Cable Hookup, 1 1/4" Pipe
 550596.....GV-150 Gas Valve, Mechanical, Direct Cable Hookup, 1 1/2" Pipe
 551049.....GV-200 Gas Valve, Mechanical, Direct Cable Hookup, 2" Pipe
 550185.....GV-250 Gas Valve, Mechanical, Direct Cable Hookup, 2 1/2" Pipe
 550186.....GV-300 Gas Valve, Mechanical, Direct Cable Hookup, 3" Pipe

ELECTRIC gas valves

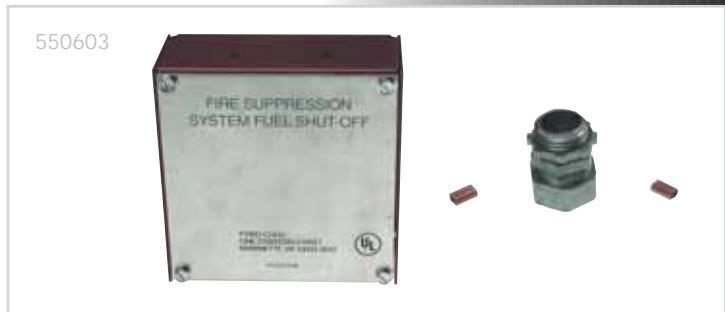
- Part # Description
 13707.....EGVSO-75 Gas Valve, Electrical, 3/4" Pipe
 13708.....EGVSO-100 Gas Valve, Electrical, 1" Pipe
 550360.....EGVSO-125 Gas Valve, Electrical, 1 1/4" Pipe
 13709.....EGVSO-150 Gas Valve, Electrical, 1 1/2" Pipe
 13710.....EGVSO-200 Gas Valve, Electrical, 2" Pipe
 550363.....EGVSO-250 Gas Valve, Electrical, 2 1/2" Pipe
 17643.....EGVSO-300 Gas Valve, Electrical, 3" Pipe



- Part # Description
 426151.....Relay, Manual Reset, (120V, 60 Hz)

GAS valve box

- Part # Description
 550603.....GVB Box Assembly, Gas Valve, Red



REPLACE COPPER TUBING WITH
 UL LISTED BRAIDED HOSES

BRAIDED hoses

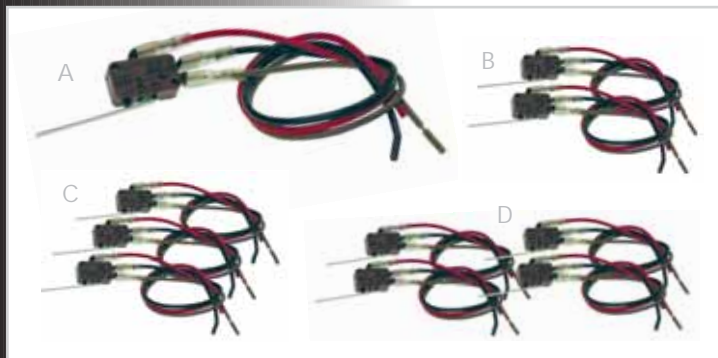
- Part # Description
 417582.....8" Braided, Actuation Hose
 31809.....16" Braided, Actuation Hose
 32335.....20" Braided, Actuation Hose
 32336.....24" Braided, Actuation Hose
 430815.....42" Braided, Actuation Hose



KITCHEN KNIGHT II

products

Distributed by
www.AmeraProducts.com
 Phone: (800) 608-6568
 Fax: (409) 840-5545
info@ameraproducts.com



MICRO switches

Part #	Description
551154MS-SPDT One-Switch Kit (Figure A)
551155MS-DPDT Two-Switch Kit (Figure B)
551156MS-3PDT Three-Switch Kit (Figure C)
551157MS-4PDT Four-Switch Kit (Figure D)

OLD STYLE

550978MS-4PDT-EN Switch EN-MCU Units, 4 Pole Double Throw (Not Shown)
--------	---



15821



79653

WIRE rope & accessories

Part # Description

15821.....WR-50 Wire Rope, Stainless Steel, 1/16" Dia., 50 ft.

79653.....WR-500 Wire Rope, Stainless Steel, 1/16" Dia., 500 ft.



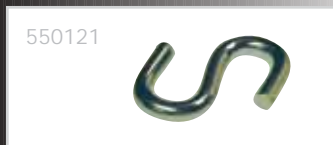
550122



551550

550122.....WC-100 Crimps for 1/16" Stainless Steel Wire Rope, Pkg. 100

551550.....WC-10SS Crimps High Temperature, Stainless Steel, Pkg. 10



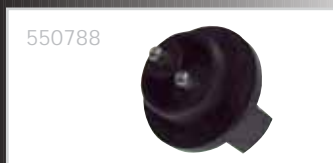
550121



24919

550121.....SH-100 S-Hooks, Pkg. 100

24919.....Stop Sleeves, Pkg. 10



550788



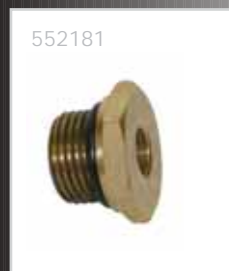
551240

SPARE parts

Part # Description

550788.....VT-1 Wet Valve Tool

551240.....Recharge Adaptor for Kitchen Knight II



552181



551037



551039

Part # Description

552181.....Hydrotest Adaptor for Kitchen Knight II

551037.....Beaker, 3000 ml

551039.....Measuring Stick



Distributed by
www.Ameraproducts.com
 Phone: (800) 608-6568
 Fax: (409) 840-5545
 info@ameraproducts.com

KITCHEN KNIGHT II

products

SPARE parts

Part # Description
 551024PCL-300T Empty 3.0 Gal. Test Tank
 550902PCL-460T Empty 4.6 Gal. Test Tank
 550901PCL-600T Empty 6.0 Gal. Test Tank

Part # Description
 79656S.....Flushing Kit, 32 oz. (Single Bottle)
 79656Flushing Kits, 32 oz. (12 Bottles)

Part # Description
 550016Blow-Off Caps, (Pkg. 12) (for Wendy's Res.)
 551528Wet Nozzle Caps, (Pkg. 10)

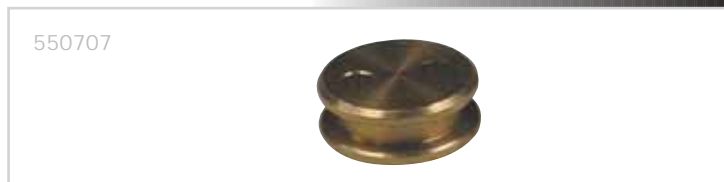
Part #Description
 550698Wet Valve Rebuilding Kit
 550705Wet Spring (Figure A)
 550716Wet Valve O-Ring (Figure B)
 550715Wet Piston O-Ring (Figure C)

Part # Description
 550707Wet Piston

Part # Description
 550714Wet Valve Cap O-Ring
 551236Wet Gauge, 225 psi
 550713Wet Gauge, 175 psi

Part # Description
 78112O-Ring Lubricant

Part # Description
 550831Wet Valve Cap with Valve Core
 550829Pneumatic Discharge Adaptor



KITCHEN KNIGHT II

products

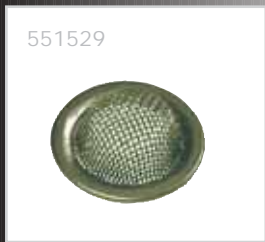
Distributed by
www.Ameraproducts.com
 Phone: (800) 608-6568
 Fax: (409) 840-5545
info@ameraproducts.com



SPARE parts

Part #	Description
551175Complete Wet Valve Assembly

436063SS Conduit Offsets (Pkg. 6)
--------	----------------------------------



Part #	Description
551529Wet Nozzle Strainers, Pkg. 10

551530Wet Nozzle Cap O-Rings, Pkg. 10
--------	--------------------------------------



Part #	Description
550272Corner Pulley Replacement Screw

55531O-Ring, Actuator Assembly
-------	--------------------------------



Part #	Description
550985Pressure Regulator Assembly



Part #	Description
551061Pressure Regulator Rebuild Kit



CYLINDERS

Part #	Description
60-120001-001B120001 - RG-1.25G; 1 1/4 Gal. Charged
60-120002-001B120002 - RG-2.5G; 2 1/2 Gal. Charged
60-120003-001B120003 - RG-4GS; 4 Gal. Charged Short
60-120006-001B120006 - RG-4GM; 4 Gal. Charged Med.
60-120005-001B120005 - RG-6G; 6 Gal. Charged



DISCHARGE piping system trim

Part #	Description
60-9196984-0009196984 - Vent Plug (one required in each piping system)
83-844908-000844908 - Discharge Adaptor Kit (required with each cylinder)



CYLINDER brackets

Part #	Description
60-9197430-0009197430 - 1 1/4 Gal. Wall Brkt.
60-9197263-0009197263 - 2 1/2 Gal. Wall Brkt.
60-9197415-0009197415 - 4 Gal. Short Wall Brkt.
87-100013-000100013 - 6 Gal. Shelf Brkt./4 Gal. Med. Brkt.



CYLINDER control heads & accessories

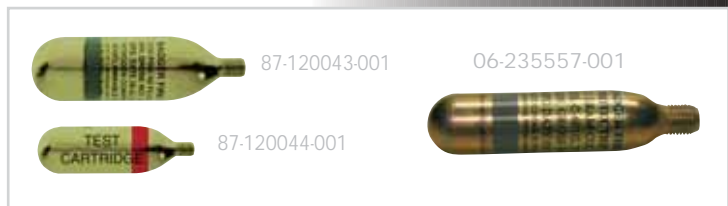
Part #	Description
60-120099-001B120099 - New Control Head - Universal Includes Universal Control Head & Includes (1) SVA 87-120042-001, (1) 60-120043-001 System Cartridge, (1) 87-12044-001 Test Cartridge, (1) Microswitch 87-120039-001, (1) Microswitch 87-120039-501, (1) B120058 EMT Connector Kit, (3) 1/2" EMT Fittings
60-120010-001B120010 - A+ Control Head Includes (1) SVA 87-120042-001, (1) Cable Tension Block Assembly 60-9197227-000, (2) C02 Cartridge 06-235557-001



Part #	Description
87-120042-001B100042 -System Valve Actuator (Requires (1) for each additional cylinder)

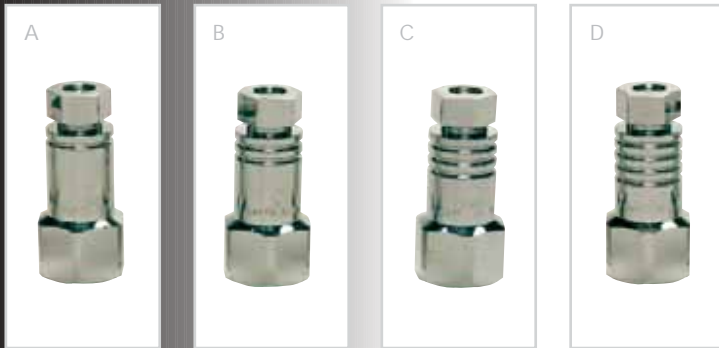


Part #	Description
87-120043-00160-120043-001 - Cartridge (Use With Univ. Control Head)
87-120044-00160-120044-001 - Test Cartridge (Use With Univ. Control Head)
06-235557-00160-9197203-000 - CO2 Cartridge (Use With A+ Control Head)



RANGE GUARD products

Distributed by
www.Ameraproducts.com
 Phone: (800) 608-6568
 Fax: (409) 840-5545
 info@ameraproducts.com



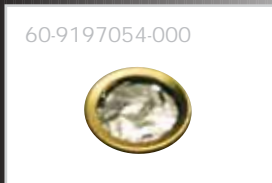
NOZZLES, single, 3/8" NPT female

Part #	Description
87-120011-001ADP Nozzle (Figure A)
87-120012-001F Nozzle (Figure B)
87-120013-001GRW Nozzle (Figure C)
87-120014-001R Nozzle (Figure D)
87-120015-001DM Nozzle (Figure E)
87-120021-001Swivel Adaptor (Figure F)
87-120022-001Low Proximity Fryer (LPF) Nozzle (Figure G)
87-120024-001Low Proximity Range (LPR) Nozzle (Figure H)



NOZZLES, ten packs, 3/8" NPT female

Part #	Description
87-120016-001B120016 - ADP Nozzles (Figure A)
87-120017-001B120017 - F Nozzles (Figure B)
87-120018-001B120018 - GRW Nozzles (Figure C)
87-120019-001B120019 - R Nozzles (Figure D)
87-120020-001B120020 - DM Nozzles (Figure E)
87-120023-001B120023 - LPF Nozzles (Figure G)
87-120025-001B120025 - LPR Nozzles (Figure H)



NOZZLE replacement parts

Part #	Description
60-9197054-0009197054 - Nozzle Seals, Pkg. 10
60-9197290-0019197290 - Nozzle Discs, Cap-Chrome, Pkg.10



PULLEYS

Part #	Description
83-843791-000843790 - Tee Pulley
WK-844648-900B844648 - Corner Pulley



MECHANICAL components

Part #	Description
60-120110-001Remote Manual Release - Badger New Style

ELECTRICAL components

Part #	Description
83-100034-001B100034, Solenoid Kit (electric acuator), 24VDC (UCH)



Distributed by
www.Ameraproducts.com
 Phone: (800) 608-6568
 Fax: (409) 840-5545
 info@ameraproducts.com

RANGE GUARD products

FUSIBLE links, mechanical

Part #	Description
WK-282664-000	B282664 - Fusible Link 360° Unpainted ML
87-120060-001	9196903 - KFA 360 Link - 360°

FUSIBLE links, mechanical, thermo bulb style

Part #	Description
87-120091-360	B120090-360 - BTBS Fusible Links 360° (Mauve Pkg. 5)
87-120091-450	B120090-450 - BTBS Fusible Links 450° (Black Pkg. 5)
87-120091-500	B120090-500 - BTBS Fusible Links 500° (Black Pkg. 5)

DETECTION, mechanical, for all control heads

Part #	Description
60-120064-001	120064 - Standard Detector Kit with (1) Large Bracket, (2) "S" Hook, (2) Cable Crimp Sleeve
WK-804548-000	804548 - Fusible Link Housing Kit

MECHANICAL gas shutoff valves

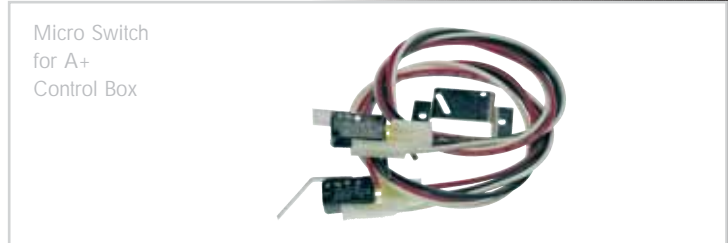
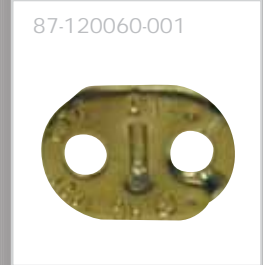
Part #	Description
60-120071-001	B120071 - 3/4" Mech. Gas Valve
60-120072-001	B120072 - 1" Mech. Gas Valve
60-120073-001	B120073 - 1 1/4" Mech. Gas Valve
60-120074-001	B120074 - 1 1/2" Mech. Gas Valve
60-120075-001	B120075 - 2" Mech. Gas Valve
60-120076-001	B120076 - 2 1/2" Mech. Gas Valve
60-120077-001	B120077 - 3" Mech. Gas Valve
60-9197285-000	9197285 - 3/4" S.A.E. Jam Nuts (bag of 25)

ELECTRICAL components

Part #	Description
60-9197227-000	9197227 - SPDT Micro Switch (for use with A+ Control Box)
60-9197228-000	9197228 - DPDT Micro Switch (for use with A+ Control Box)
87-120039-001	B120039 - Micro Switch Kit for B120099 (for use with Universal Control Head)
87-120039-501	Micro Switch Kit for Universal Control Head (Not Shown)

MECHANICAL components

Part #	Description
60-9197464-000	9197464 - Surface Remote Manual Release In-line conversion Kit (Req. 9197463)



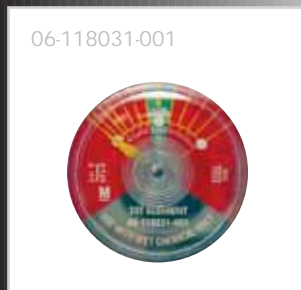
RANGE GUARD products

Distributed by
www.Ameraproducts.com
 Phone: (800) 608-6568
 Fax: (409) 840-5545
info@ameraproducts.com



REPLACEMENT parts, cylinder valve

Part #	Description
87-120067-001	B120067 Valve Repair Kit



06-118031-001Replacement Gauge

18490004Retaining Ring (Single)



REPLACEMENT parts, A+ control box

Part #	Description
06-235557-001	9197203 - CO2 Cartridge

60-91972220-000.....9197220 - Cable Tension Block Assembly



INSTALLATION tool

Part #	Description
60-9197108-0001	9197108 - Keeper Pin (MCB and A+ Control)



HIGH pressure hose

Part #	Description
87-120045-001	B120045 - High Pressure Hose (Used with universal control head and SVA)



60-00088001-000.....Turn Buckle Assembly



Part # Description
16920Bracket Assembly, Agent Cylinder 2.75, 3.75 &
4.75 Gal. (w/Swivel Adaptor)



15166Bracket Assembly, Agent Cylinder 6.14 Gal.

Part # Description
10199Discharge Adaptor Kit 3/4 NPT - Agent Cylinder 6.14 Gal.



10147Pneumatic Actuator - Agent Cylinder 6.14 Gal.

12328Fusible Link 360° ("K")

12329Fusible Link 450° ("K")

12508Detector (Includes Bracket, Linkage and Conduit Fittings)



12891Test Link

16501Tubing Clip



16557Detection Tubing 25 ft.

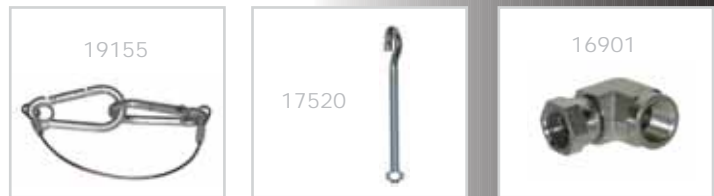
16551Detection Tubing 50 ft.

16579Detection Tubing 100 ft.

16552Detection Tubing 150 ft.

16554Detection Tubing 300 ft.

19155Cable Segment 12" - Link-to-link



17520Eyebolt Support

16901Swivel Adaptor for 2.75 or 3.75 Agent Cylinder

9902KP Recharge Adaptor



10173Vent Check (Required on Actuation Line)

11993Manual Pull Station (Standard) (Surface Mount)

16448Actuation Hose - (N2 - 1/4" x 32")



12854Actuation Hose - (N2 - 1/4" x 16")

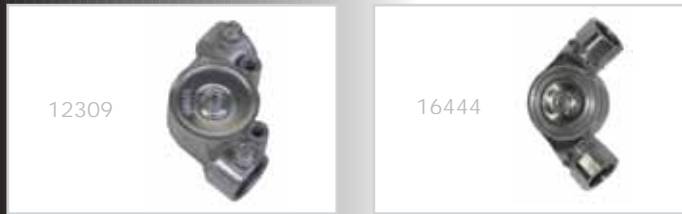
14193Adaptor Kit - Manual Pull Station
(Recess Standard Pull Station) use w/11993

14320Manual Pull Station (Oversized) (Recess or Surface Mount)



12738Tool Setup/lockout ASV





12309



16444



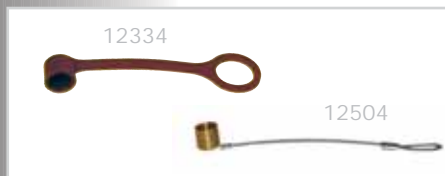
12506



12507



12553



12334

12504



13729

11982

11983

11984

16416

14178

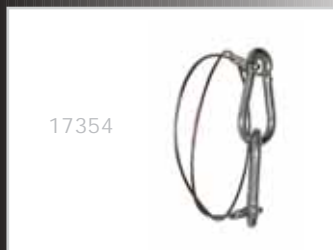
16440



17461



16226
16227
16445
16446



17354



13341



12791



12526



18312



12740

- Part # Description
- 12309Corner Pulley
- 16444Corner Pulley - CP5 Brooks Style
- 12506Pulley Tee
- 12507SS Conduit Offsets, Pkg. 6
- 12553Cable, 1/16" - 500 Foot Spool
- 12334Cap, Nozzle Blow-Off (Standard)
- 12504Cap, Nozzle Blow-Off (High-Temperature)
- 13729Nozzle - Fryer, Griddle - Two (2) Flow Points Each
- 11982Nozzle - Appliance, Plenum - One (1) Flow Point Each
- 11983Nozzle - Solid Fuel Charbroiler/Duct - One & One Half (1 1/2) Flow Points Each
- 11984Nozzle - Upright Charbroiler - One Half (1/2) Flow Point Each
- 16416Nozzle - Duct - One (1) Flow Point Each
- 14178Nozzle - ZD Appliance & Four Burner Range/48" Griddle - Two (2) Flow Points Each
- 16440Nozzle Swivel Adaptor
- 17461Backshelf Manifold - 3 1/3 Flow Point Nozzles - One (1) Flow Point Total

QUIK Response Links

- Part # Description
- 16226286° Fusible Links, Pkg.10
- 16227360° Fusible Links, Pkg.10
- 16445450° Fusible Links, Pkg.10
- 16446500° Fusible Links, Pkg.10
- 17354Cable Segment 24" - Link-to-link
- 13341Tool Cocking MRM
- 12791Amerex Brass Gas Valve - Mechanical - 1 inch
- 12526Manual Reset Relay (Required with every Electric Gas Valve)
- 18312Alarm Initiating Snap Action Switch (1 supplied with MRM & PRM)
- 12740Gas Valve Trip Assembly (supplied with Amerex Mechanical Gas Valve)



CYLINDERS & brackets

Part #Description

- 551654.....PCI-17ABC Cylinder w/Valve, ABC Agent, 17 lb.
- 551097.....PCI-35ABC Cylinder w/Valve, ABC Agent, 35 lb.
- 551094.....PCI-70ABC Cylinder w/Valve, ABC Agent, 70 lb.
- 550388.....PCI-15ABC Cylinder w/Valve, ABC Agent, 12.5 lb.
- 550391.....PCI-25BC Cylinder w/Valve, BC Agent, 25 lb.
- 550390.....PCI-25ABC Cylinder w/Valve, ABC Agent, 25 lb.
- 550393.....PCI-50BC Cylinder w/Valve, BC Agent, 50 lb.
- 550392.....PCI-50ABC Cylinder w/Valve, ABC Agent, 50 lb.

- 550053.....MB-1 Cylinder Mounting Brkt. - Fits PCI 50, 35
- 550054.....MB-15 Cylinder Mounting Brkt. - Fits PCI 25, 17, 15
- 550665.....MB-ATD Cylinder Mounting Brkt. - Fits PCI 70 (Not Shown)

- 550324.....MB-U8 Floor Mounting Brkt. - 8" Diameter Cylinder
- 550383.....MB-U10 Floor Mounting Brkt. - 10" Diameter Cylinder
- 550638.....MB-U12 Floor Mounting Brkt. - 12" Diameter Cylinder



NOZZLES

Part #Description

- 551650.....NV-WA Nozzle w/Cap, Work Area, Vehicle Paint Booth
- 551652.....NV-P1 Nozzle w/Cap, Overhead Plenum Area, Vehicle Paint Booth
- 551653.....NV-DP2 Nozzle w/Cap, Exhaust Duct/End Plenum Area, Vehicle Paint Booth
- 551651.....NV-UF Nozzle w/Cap, Under Floor Plenum Area, Vehicle Paint Booth
- 551098.....N-SCR Nozzle w/Cap, Screening, Open Face Paint Booth
- 551099.....N-OTF Nozzle w/Cap, Work Area Flooding, Open Face Paint Booth
- 551100.....N-PLU Nozzle w/Cap, Plenum, Open Face Paint Booth
- 551101.....N-DCT Nozzle w/Cap, Exhaust Duct, Open Face and Vehicle Paint Booth
- 551678.....NF-ABC Nozzle w/Cap, Total Flooding
- 550646.....N-LA-ABC Nozzle w/Cap, ABC Local Application, Overhead
- 550342.....N-LA-BC Nozzle w/Cap, BC Local Application, Overhead
- 550337.....N-TS Nozzle w/Cap, Local Application, Tankside
- 552175.....NV-SW Nozzle w/Cap, Work Area, Vehicle Paint Booth



ACTUATING cylinders

Part #Description

- 550104.....PAC-10 Pneumatic Actuating Cylinder
- 551559.....PAC-10-PS Pneumatic Actuating Cylinder w/Pressure Switch

Part #Description

- 550690.....PAC-200 Pneumatic Actuating Cylinder
- 551561.....PAC-200-PS Pneumatic Actuating Cylinder w/Pressure Switch

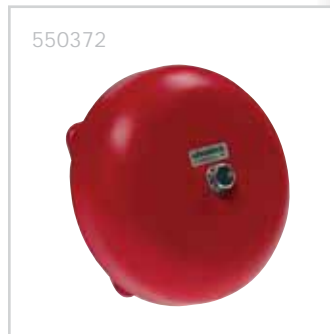


ALARM bells

Part #Description

- 24751P.....BAC-612 Bell, 6", 120 VAC (Not Shown)
- 550372.....BDC-624 Bell, 6", 24 VDC

- 550008.....WBK-3 Back Box, Weatherproof, AC or DC Bell





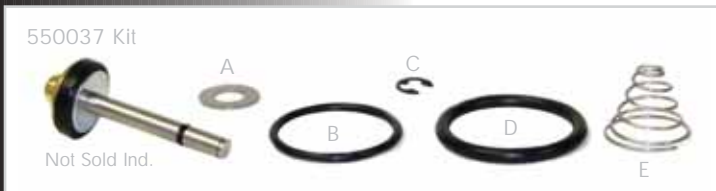
ACCESSORIES

Part #	Description
550877	VT-2 Dry Valve Tool
550829	PDA-D2 Pneumatic Discharge Adaptor
551511	TD-10 Time Delay, Vehicle Paint Spray Booth



SPARE parts

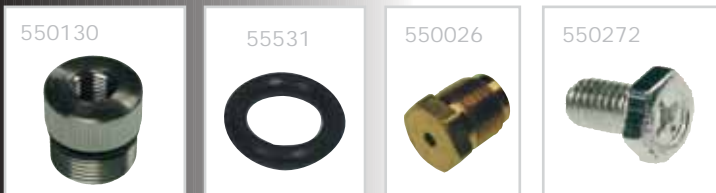
Part #	Description
550333	Nozzle Cap, Industrial
550644	Nozzle Cap for N-LA-BC, N-LA-ABC
550812	Dry Valve Assembly, Complete



Part #	Description
550037	Rebuilding Kit, Dry Valve
550261	Retaining Washer, Dry Valve (Figure A)
550636	Piston O-Ring, Dry Valve (Figure B)
550024	E-Ring, Dry Valve (Figure C)
550029	Valve Body O-Ring, Dry Valve (Figure D)
550022	Conical Spring, Dry Valve (Figure E)



Part #	Description
550805	Dry Valve Piston
550025	Pressure Gauge, 350 psi, Dry Valve
551675	Pressure Gauge, Valve, 450 psi (Attendant)



Part #	Description
55531	O-Ring, Actuator Assemblies - 10 Pack Only
550026	Relief Plug, High Temperature
550272	Replacement Screw, MCP-1 Corner Pulley



EMPTY test tanks

Part #	Description
551595	PCI-15T Test Tank, Empty, 12.5 lb.
550072	PCI-25T Test Tank, Empty, 25 lb.
550073	PCI-50T Test Tank, Empty, 50 lb.
551596	PCI-75T Test Tank, Empty, 75 lb.

CHROME pipe nipples

Part #	Description
C0561/4" Close Pipe Nipple
C0551/4" x 1 1/2" Pipe Nipple
C0541/4" x 2" Pipe Nipple
C0531/4" x 3" Pipe Nipple
C0521/4" x 4" Pipe Nipple
C0511/4" x 5" Pipe Nipple
C0501/4" x 6" Pipe Nipple
C0443/8" Close Pipe Nipple
C0433/8" x 1 1/2" Pipe Nipple

C0423/8" X 2" Pipe Nipple
C0413/8" X 3" Pipe Nipple
C0403/8" X 4" Pipe Nipple
C0393/8" X 5" Pipe Nipple
C0383/8" X 6" Pipe Nipple
C0321/2" Close Pipe Nipple
C0311/2" x 1 1/2" Pipe Nipple
C0301/2" X 2" Pipe Nipple
C0281/2" X 3" Pipe Nipple
C0271/2" X 4" Pipe Nipple
C0261/2" X 5" Pipe Nipple
C0251/2" X 6" Pipe Nipple



CHROME reducing couplings

Part #	Description
C074Chrome 3/8" x 1/4" Reducing
C083Chrome 1/2" x 3/8" Reducing
C079Chrome 3/4" x 1/2" Reducing

CHROME unions

Part #	Description
C059Chrome 1/4" Union
C049Chrome 3/8" Union
C037Chrome 1/2" Union
C024Chrome 3/4" Union

CHROME bushings

Part #	Description
C077Chrome 3/8" x 1/4" Bushing
C078Chrome 3/4" x 1/2" Bushing
C090Chrome 1/2" x 3/8" Bushing
C075Chrome 1/2" x 1/4" Bushing

CHROME pipe fittings elbows 90°

Part #	Description
C061Chrome 1/4" 90° Elbow
C048Chrome 3/8" 90° Elbow
C036Chrome 1/2" 90° Elbow
C023Chrome 3/4" 90° Elbow

CHROME pipe fittings elbows 45°

Part #	Description
C060Chrome 1/4" 45° Elbow
C047Chrome 3/8" 45° Elbow
C035Chrome 1/2" 45° Elbow
C022Chrome 3/4" 45° Elbow

CHROME couplings

Part #	Description
C058Chrome 1/4" Coupling
C045Chrome 3/8" Coupling
C033Chrome 1/2" Coupling
C020Chrome 3/4" Coupling

CHROME sleeving

Part #	Description
CC6' Chrome 1/2" Conduit
SSS6' Chrome Sleeving for 3/8" Pipe

REDUCING COUPLING



UNION



BUSHING



90° ELBOWS



45° ELBOWS



COUPLING



TEES



PLUG



CHROME tees

Part #	Description
C057Chrome 1/4" Tee
C046Chrome 3/8" Tee
C034Chrome 1/2" Tee
C021Chrome 3/4" Tee

CHROME plugs

Part #	Description
C38PLUG3/8" Plug

CC



SSS





BLACK pipe nipples

Part #	Description
B056	1/4" Close Black Pipe Nipple
B055	1/4" x 1 1/2" Black Pipe Nipple
B054	1/4" x 2" Black Pipe Nipple
B053	1/4" X 3" Black Pipe Nipple
B052	1/4" X 4" Black Pipe Nipple
B051	1/4" X 5" Black Pipe Nipple
B050	1/4" X 6" Black Pipe Nipple
B044	3/8" Close Black Pipe Nipple
B043	3/8" x 1 1/2" Black Pipe Nipple

B042	3/8" X 2" Black Pipe Nipple
B041	3/8" X 3" Black Pipe Nipple
B040	3/8" X 4" Black Pipe Nipple
B039	3/8" X 5" Black Pipe Nipple
B038	3/8" X 6" Black Pipe Nipple
B032	1/2" Close Black Pipe Nipple
B031	1/2" x 1 1/2" Black Pipe Nipple
B030	1/2" X 2" Black Pipe Nipple
B028	1/2" X 3" Black Pipe Nipple
B027	1/2" X 4" Black Pipe Nipple
B026	1/2" X 5" Black Pipe Nipple
B025	1/2" X 6" Black Pipe Nipple



REDUCING COUPLING



UNION

BLACK reducing couplings

Part #	Description
B074	Black 3/8" x 1/4" Reducing
B083	Black 1/2" x 3/8" Reducing
B079	Black 3/4" x 1/2" Reducing



BUSHING



90° ELBOWS



45° ELBOWS

BLACK unions

Part #	Description
B059	Black 1/4" Union
B049	Black 3/8" Union
B037	Black 1/2" Union
B024	Black 3/4" Union

BLACK bushings

Part #	Description
B077	Black 3/8" x 1/4" Bushing
B078	Black 3/4" x 1/2" Bushing
B090	Black 1/2" x 3/8" Bushing
B075	Black 1/2" x 1/4" Bushing



COUPLING



TEES



PLUG

BLACK pipe fittings elbows 90°

Part #	Description
B061	Black 1/4" 90° Elbow
B048	Black 3/8" 90° Elbow
B036	Black 1/2" 90° Elbow
B023	Black 3/4" 90° Elbow

BLACK pipe fittings elbows 45°

Part #	Description
B060	Black 1/4" 45° Elbow
B047	Black 3/8" 45° Elbow
B035	Black 1/2" 45° Elbow
B022	Black 3/4" 45° Elbow

BLACK tees

Part #	Description
B057	Black 1/4" Tee
B046	Black 3/8" Tee
B034	Black 1/2" Tee
B021	Black 3/4" Tee

BLACK plugs

Part #	Description
B38PLUG	3/8" Plug

BLACK couplings

Part #	Description
B058	Black 1/4" Coupling
B045	Black 3/8" Coupling
B033	Black 1/2" Coupling
B020	Black 3/4" Coupling

THREADED pipe

Part #	Description
BP3884	3/8" x 84" Black Pipe
BP388410	3/8" x 84" Black Pipes, Pkg. 10
BP1284	1/2" x 84" Black Pipe
BP128410	1/2" x 84" Black Pipes, Pkg. 10



THREADED PIPE





L&J FIRE EQUIPMENT

I N C O R P O R A T E D

Distributed by
www.Ameraproducts.com
Phone: (800) 608-6568
Fax: (409) 840-5545
info@ameraproducts.com

TERMS OF SALE

Our terms are net 30 days from the date of invoice on accounts approved for credit by our credit department. If an account is not approved for open charges, orders will be shipped on a C.O.D. or Credit Card basis. Accounts with past due balances will be on a cash only basis. There will be a charge of \$40.00 for returned checks under \$300 and the account will be placed on a cash only basis. Checks over \$300 will be charged the maximum allowed by law. All currencies are based on the U.S. Dollar.

CREDIT CARDS

As an added convenience, we will accept payment by MasterCard, Visa, American Express and Discover. If paying by credit card, please let us know at the time the order is placed.

NOTES

Prices do not include installation, inspection or test, all prices are subject to change without notice.

RETURN POLICY

Non-warranty returns are subject to a 25% restocking charge, plus refurbishing costs if required.

F.O.B. SHIPPING POINT

Ocala, Florida • Cassopolis, Michigan • Brea, California
Unless otherwise specified by L&J Fire Equipment.

FREIGHT TERMS

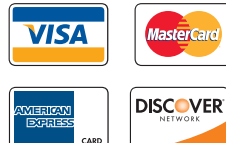
WE OFFER SAME DAY SHIPPING

Small parcel orders of \$500 or more to a single location are freight free within the Continental United States (excludes recharging compounds and hazardous materials).

Truck line shipments of \$5000 or more to a single location are freight free within the Continental United States.

PALLETS OF EXTINGUISHERS ARE FREIGHT FREE TO MOST AREAS

Freight free on most skid orders of extinguishers with next day delivery to Florida, Indiana, Ohio, Michigan, Illinois, Wisconsin, Pennsylvania, Georgia, Kentucky, West Virginia, California, Nevada, and Arizona.



PLEASE CALL OR VISIT OUR WEBSITE FOR YOUR CURRENT PRICING



L&J FIRE EQUIPMENT INCORPORATED

FLORIDA LOCATION:

953 N.E. Osceola Avenue, Suite 101
Ocala, Florida 34470

MICHIGAN LOCATION:

708 Sherman Lane
Cassopolis, Michigan 49031



CALIFORNIA:

2950 Saturn Street, Unit J
Brea, California 92821

PRSR STD
US POSTAGE
PAID
OCALA, FL
PERMIT #406

Distributed by
www.AmeraProducts.com
Phone: (800) 608-6568
Fax: (409) 840-5545
info@ameraproducts.com



ANSUL AMEREX KITCHEN KNIGHT II SENTRY RANGE GUARD MONARCH LARSEN'S BUCKEYE