

SUBMITTAL: PANORAMA™ STEEL FIRE EXTINGUISHER CABINETS



The Panorama Cabinet Features a Frameless Acrylic Door of Clear or Opaque Textured Acrylic with Many Lettering Options.

Door & Trim Construction: Flush acrylic cabinet doors are attached by a continuous hinge and equipped with zinc-plated handle and roller catch. 1-3/4" steel trim on cabinet has white powder coat finish.

Trim Style & Depth: Recessed 3/8" flat trim, Semi Recessed - 1-1/4", 1-1/2" Square Edge or 2-1/2", 3", 4", 4-1/2" Rolled Edge (4" has recessed pull). Surface-mount models have a square edge or optional rolled edge upon request. See separate submittal for trimless.

Tub: The tub is constructed of cold rolled steel with white powder-coat finish standard.

Fire-Rated Option Available: Yes - See separate Submittal Form.

STEP 1: SELECT MODEL NUMBER, MATERIAL AND QUANTITY ON CHART (refer to chart on pg 2)

- A. Determine Trim Style according to wall depth.
- B. Determine Tub I.D. according to size most suited for extinguisher and wall opening.

STEP 2: SELECT DOOR ACRYLIC WITH HANDLE (Check one box below)

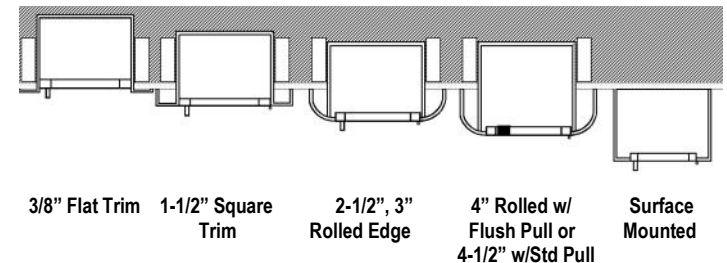
- C70 Clear 3/16" Unlettered Smooth Acrylic
- C71 Clear 3/16" Unlettered Smooth Acrylic & Saf-T-Lok™
- P Identity: 3/16" Textured Obscure Acrylic with Lettering
- Q Identity: 3/16" Textured Obscure Acrylic with Lettering & Saf-T-Lok™

STEP 3 - P&Q DOORS SELECT LETTERING STYLE View lettering styles on page 2 or: [VIEW LETTERING STYLES](#)

40 Vert, Black Bkgd, White Lettering	45 Horiz, Black Bkgd, White Lettering	50 Ascend, Black Bkgd, White Lettering
41 Vert, Red Bkgd, White Lettering	46 Horiz, Red Bkgd, White Lettering	51 Ascend, Red Bkgd, White Lettering
42 Vert, White Bkgd, Black Lettering	47 Horiz, White Bkgd, Black Lettering	52 Ascend, White Bkgd, Black Lettering
43 Vert, White Bkgd, Red Lettering	48 Horiz, White Bkgd, Red Lettering	53 Ascend, White Bkgd, Red Lettering

STEP 4: OPTIONAL FEATURES AT ADDED COST (SELECT ANY)

- Futura "Fire" Handle _ _ Mill Aluminum (PUF) ___ Red _ _ White
- Flush Pull Handle for P and Q Door Styles Only
- Polished Chrome Pull (PUCH)
- Optional Color: _ _ Red _ _ Black _ Flat Black
- _ _ Sand _ AMS Beige ___ SC Flat Beige
- _ _ Gray ___ Bronze _ _ Satin Aluminum
- (MC) Magnetic Catch—Replaces Roller Catch
- (CA) Commander Alarm
- (BA) Brigadier Alarm
- (SA) Strobe Alarm (Surf Mtd Models Only)
- Optional Tub Color: ___ Black ___ Red
- Rolled Edge Surface Mount - See Separate Submittal



1012P48
4" Rolled Trim
Semi-Recessed
With Standard
Flush Pull



1817Q51
3" Rolled Trim
Semi-Recessed

For More Information on Options See Other Submittals: [Decals & Die Lettering](#), [Wall Signs](#), [Alarms](#), [Pulls & Levers](#)

<p>ACTIVAR INC. CONSTRUCTION PRODUCTS GROUP</p> <p>PANORAMA AND SAF-T-LOK ARE TRADEMARKS OF ACPG PLEASE DOWNLOAD MOST CURRENT SUBMITTAL FROM WEBSITE BEFORE ORDERING</p>	Distributor:	Quantity:
	Contractor:	Approved By:
	Model #:	Architect:
	Project:	Date:

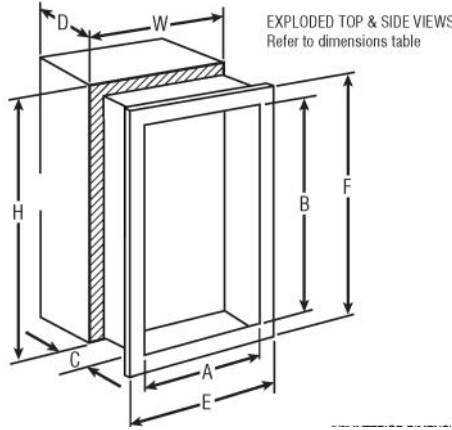
© 2019 Activar Construction Products

Manufacturing: Bloomington MN & Commerce, CA **Warehouses:** Ft Myers, FL Dallas TX, Lancaster PA, Atlanta GA, Chicago, IL, Seattle WA, Omaha NE, Fargo ND 6/6/19



SUBMITTAL: PANORAMA STEEL FIRE EXTINGUISHER CABINETS

TRIM & DOOR SERIES #			Tub I.D.			Frame O.D.		Wall Opening			View Extinguishers
QTY	Model	Trim Style (in)	A	B	C	E	F	W	H	D	
	8115	●Flat trim	9	18	5 1/2	12 3/8	21 3/8	10	19	5 3/8	Cosmic & Galaxy
	8116	●1 1/2 Square	9	18	5 1/2	12 3/8	21 3/8	10	19	4 1/8	2 1/2-6(6 lb must be mounted on tub)
	8117	●2 1/2 Rolled	9	18	5 1/2	12 3/8	21 3/8	10	19	3 1/8	Mercury 2 1/2-5
	8113	Surf. Mtd Sq	12 3/16	21 3/16	6	12 3/8	21 3/8	--	--	--	
	1815	●Flat trim	10 1/2	24	5 1/2	13 7/8	27 3/8	11 1/2	25	5 3/8	Cosmic & Galaxy
	1816	●1 1/2 Square	10 1/2	24	5 1/2	13 7/8	27 3/8	11 1/2	25	4 1/8	2 1/2-6(6 lb must be mounted on tub)
	1817	●3 Rolled	10 1/2	24	5 1/2	13 7/8	27 3/8	11 1/2	25	2 5/8	Mercury 2 1/2-5
	1812	4 Rolled*(● P or Q)	10 1/2	24	5 1/2	13 7/8	27 3/8	11 1/2	25	1 7/8	
	1818	4 1/2 Rolled	10 1/2	24	5 1/2	13 7/8	27 3/8	11 1/2	25	1 1/8	
	1015	●Flat trim	10 1/2	24	6	13 7/8	27 3/8	11 1/2	25	5 7/8	Cosmic & Galaxy
	1016	●1 1/2 Square	10 1/2	24	6	13 7/8	27 3/8	11 1/2	25	4 5/8	2 1/2-10
	1017	●3 Rolled	10 1/2	24	6	13 7/8	27 3/8	11 1/2	25	3 1/8	Mercury 2 1/2-5, Sentinel 5
	1012	4 Rolled*(● P or Q)	10 1/2	24	6	13 7/8	27 3/8	11 1/2	25	2 3/8	
	1018	4 1/2 Rolled	10 1/2	24	6	13 7/8	27 3/8	11 1/2	25	1 5/8	
	1013	Surf Mtd. Sq	13 11/16	27 3/16	6 1/2	13 7/8	27 3/8	--	--	--	
	2015	●Flat trim	12	27	7 3/4	15 3/8	30 3/8	13	28	7 5/8	Any Cosmic. Galaxy, Mercury, Saturn or Grenadier P (20 lb must be mounted on back of tub), Sentinel 5 & 10
	2016	●1 1/4 Square	12	27	7 3/4	15 3/8	30 3/8	13	28	6 5/8	
	2017	●2 1/2 Rolled	12	27	7 3/4	15 3/8	30 3/8	13	28	5 5/8	
	2012	4 Rolled*(● P or Q)	12	27	7 3/4	15 3/8	30 3/8	13	28	4 1/8	
	2018	4 1/2 Rolled	12	27	7 3/4	15 3/8	30 3/8	13	28	3 3/8	
	2013	Surf Mtd. Sq	15 3/16	30 3/16	8 1/4	15 3/8	30 3/8	--	--	--	
	3015	●Flat trim	16	32	7 3/4	19 3/8	35 3/8	17	33	7 5/8	Any Cosmic. Galaxy, Mercury, Saturn or Grenadier P (20 lb must be mounted on back of tub), Sentinel 5-15, 272
	3016	●1 1/4 Square	16	32	7 3/4	19 3/8	35 3/8	17	33	6 5/8	
	3017	●2 1/2 Rolled	16	32	7 3/4	19 3/8	35 3/8	17	33	5 3/8	
	3012	4 Rolled*(● P or Q)	16	32	7 3/4	19 3/8	35 3/8	17	33	4 1/8	
	3018	4 1/2 Rolled	16	32	7 3/4	19 3/8	35 3/8	17	33	3 3/8	
	3013	Surf Mtd. Sq	19 3/16	35 3/16	8 1/4	19 3/8	35 3/8	--	--	--	
	4015	●Flat trim	20	27	7 3/4	23 3/8	30 3/8	21	28	7 5/8	Two each of: any Cosmic, Galaxy, Mercury, Saturn or Grenadier P (20 lb must be mounted on back of tub), Sentinel 5
	4016	●1 1/4 Square	20	27	7 3/4	23 3/8	30 3/8	21	28	6 5/8	
	4017	●2 1/2 Rolled	20	27	7 3/4	23 3/8	30 3/8	21	28	5 3/8	
	4012	4 Rolled*(● P or Q)	20	27	7 3/4	23 3/8	30 3/8	21	28	4 1/8	
	4018	4 1/2 Rolled	20	27	7 3/4	23 3/8	30 3/8	21	28	3 3/8	
	4013	Surf Mtd. Sq	23 3/16	30 3/16	8 1/4	23 3/8	30 3/8	--	--	--	



PANORAMA "P" & "Q" DOOR GLAZING STYLES



Models shown in **Large Bold** above are available in several door styles for Quick Shipment. [See current Stock List.](#)

* 4" Rolled models have recessed pull for P and Q Doors and standard pull for C Styles

- Cabinets that Meet 4" Maximum ADA Projection Requirement