

*Introducing!*

# KEYCURB™ ROOFTOP SUPPORT SYSTEMS



Economical Modular Components to Meet a Variety of Rooftop Support Requirements



**Used to Support:**

**Pipe and Conduit  
Ductwork  
Cable Tray**

- Recycled UV-Resistant Rubber Base
- Does Not Penetrate Roof Material
- Several Adjustable Height Models
- Easy to Install

# KEYCURB™ ROOFTOP SUPPORT SYSTEMS FOR NEW OR RETROFIT APPLICATIONS

- Properly Support Gas and Liquid Piping or Electrical Conduit from Sagging
- Effectively Distribute Weight to Comply with Roof Deck Compression Load Limits
- Elevate Expanding and Contracting Pipe to Prevent Roof Damage
- Support HVAC Ductwork at Customized Height or Widths

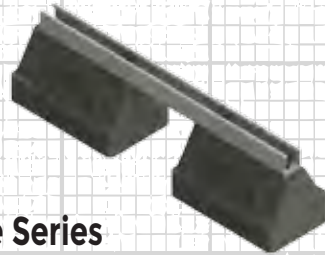


**KeyCurb Base**  
Model - RKC

## AVAILABLE IN LOW PROFILE, EXTENSION AND ADJUSTABLE HEIGHT MODELS



**Strut Series**  
Model - RKCSN



**Bridge Series**  
Model - RKCBN



**Roller Series**  
Model - RKCRN



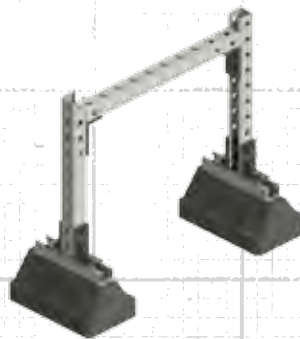
**Strut Extension Series**  
Model - RKCSE



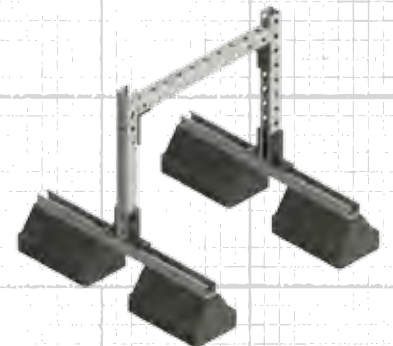
**Bridge Extension Series**  
Model - RKCBE



**Roller Extension Series**  
Model - RKCRE



**Multipurpose Single Series**  
Model - RKCMA1



**Multipurpose Dual Series**  
Model - RKCMA2

**ACTIVAR** INC.  
CONSTRUCTION PRODUCTS GROUP



JL INDUSTRIES

Distributed by  
[www.Ameraproducts.com](http://www.Ameraproducts.com)  
Phone: (800) 608-6568  
Fax: (409) 840-5545  
[info@ameraproducts.com](mailto:info@ameraproducts.com)