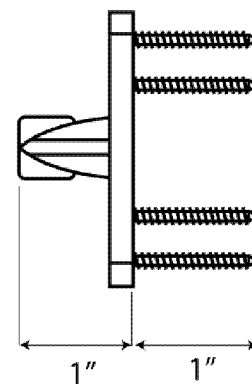
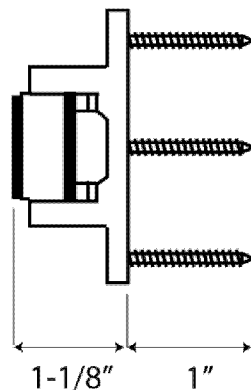
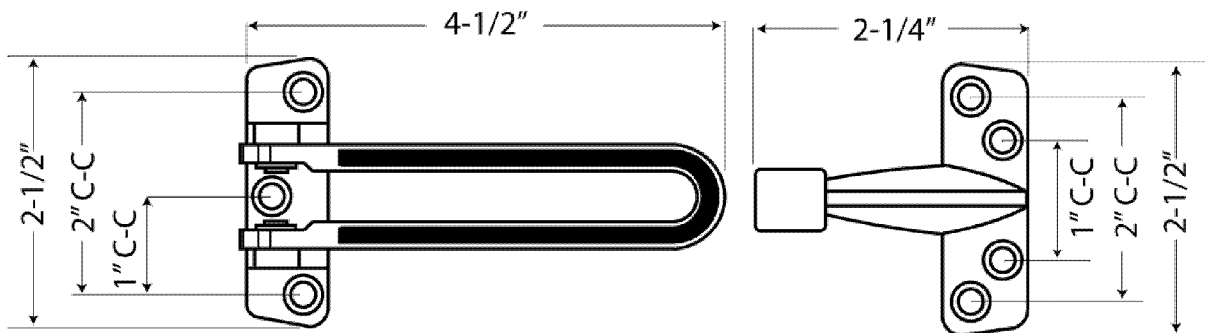
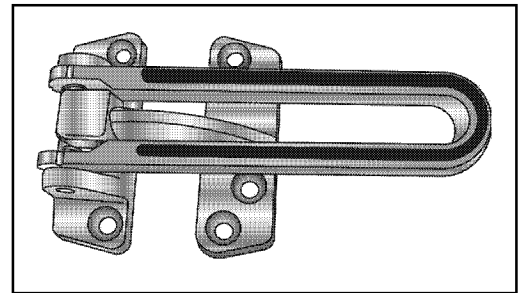


Die Cast Swing Bar Door Guard

- ⊙ Ball Bearing stop guide
- ⊙ Protective rubber insert on both sides of arm
- ⊙ Individually poly-bagged
- ⊙ Packed with screws
- ⊙ Arm length 4 -1/2"
- ⊙ Architectural finishes available



Cal-Royal Products, Inc.
6605 Flotilla St., City of Commerce, CA 90040 U.S.A.

VERSION DATE
AUG-01
2009
CAL-ROYAL PRODUCTS, INC.