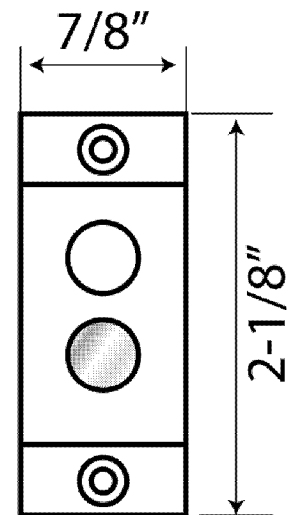
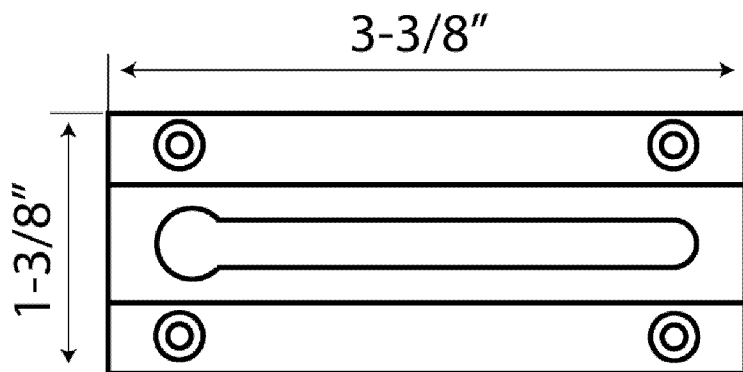
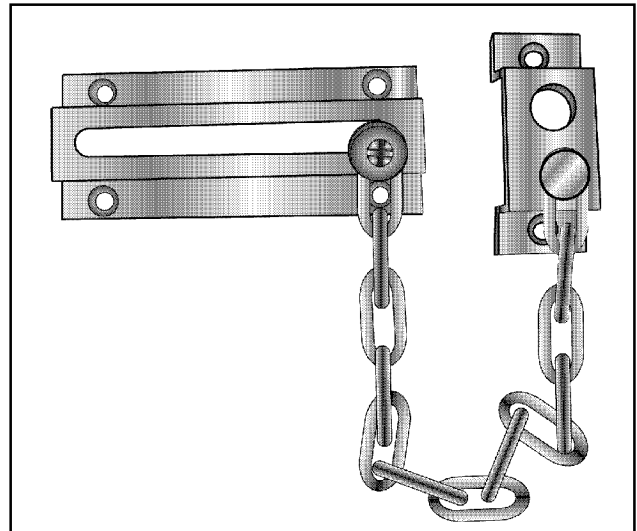


Solid Brass Chain Door Guard

- ⦿ Provides security when viewing without fully opening door
- ⦿ Welded solid steel chains to prevent forced entry
- ⦿ Individually poly-bagged with sheet metal screws
- ⦿ Chain Length: 9"
- ⦿ Conforms to ANSI/BHMA 156.16
- ⦿ Architectural finishes available



Chain Link: 9"



Cal-Royal Products, Inc.
6605 Flotilla St., City of Commerce, CA 90040 U.S.A.

