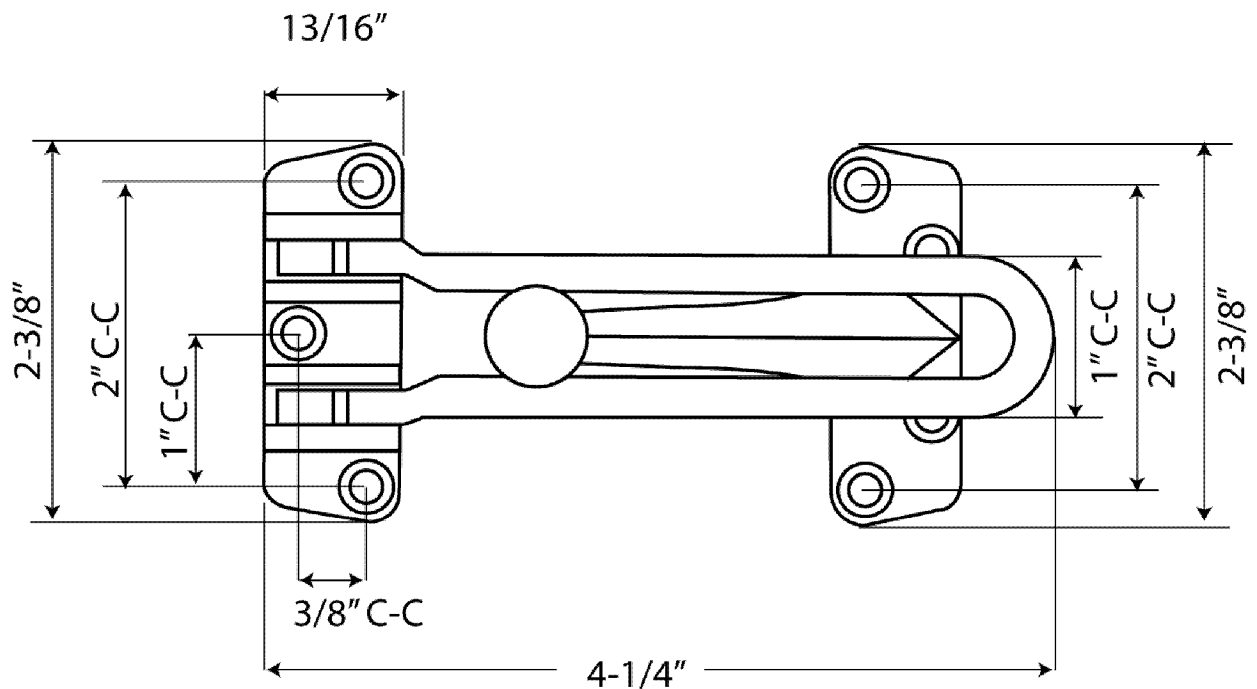
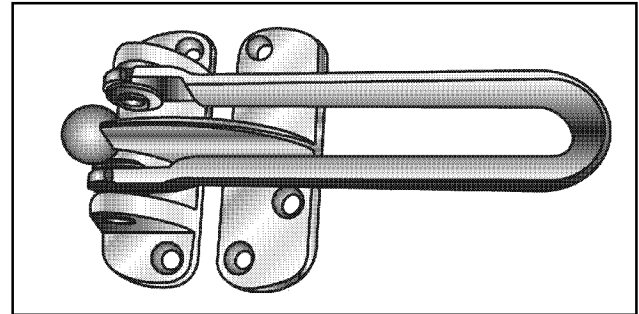


BBDHG88



Die Cast Swing Bar Door Guard

- ⦿ Ball Bearing Stop Guide
- ⦿ Die cast material
- ⦿ Individually poly-bagged
- ⦿ Packed with screws
- ⦿ Arm Length: 4-1/4"
- ⦿ Architectural finishes available



Distributed by
www.Ameraproducts.com
Phone: (800) 608-6568
Fax: (409) 840-5545
info@ameraproducts.com

Cal-Royal Products, Inc.
6605 Flotilla St., City of Commerce, CA 90040 U.S.A.

VERSION DATE
AUG-01
2009
CAL ROYAL PRODUCTS, INC.

The illustration and technical description in this Specification Sheet is current as of the date in the version box above. Cal-Royal Product reserves the right to, and may frequently make changes and/or improvements in designs and dimensions.