

Security recessed seat:

Model SA65 – Recessed Mounted

Product Materials

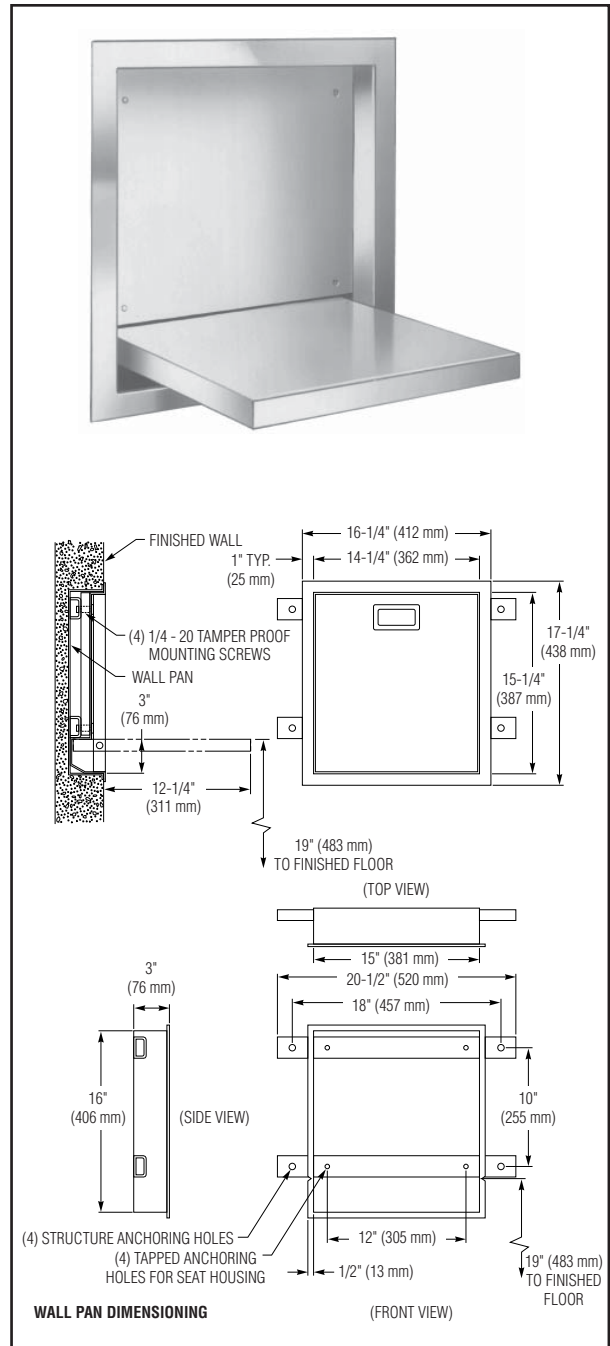
HOUSING: 16 gauge stainless steel with two heavy anchoring channels welded to back.

SEAT: 16 gauge stainless steel with heavy reinforcing. Welds ground smooth and exterior surfaces polished to No. 4 satin finish. Hinge is solid 3/8" diameter stainless steel rod. Unit supplied with 1/4" - 20 x 1" T27 torx head machine screws for installation to wall anchors (not included).

WALL PAN: 20 gauge cold rolled steel.

Operation

Seat opens out from wall and supports up to 750 lbs. Folds up out of the way to store in wall when not in use.



**Washroom Accessories
Document No. 9305**

This information is subject to change without notice.
Always consult local and national codes for proper installation guidelines. Conformity and compliance to local and national codes is the responsibility of the installer.

8-29-2011

Distributed by
www.Ameraproducts.com
Phone: (800) 608-6568
Fax: (409) 840-5545
info@ameraproducts.com