



### Dispenser Key Features

- Offers flexibility as this unit dispenses liquid soap or gel hand sanitizer
- Compatible mounting with Bradley's 6A20-110000 Hand Sanitizer/Soap Dispenser Stand
- Vandal-resistant filler hole cover and sight gauge
- Concealed mounting plate
- Corrosion-resistant sanitizer valve
- Touch-free operation
- Tank capacity of 27 oz (800 mL)

### Product Material

**BODY:** Heavy gauge stainless steel with exposed surfaces in architectural satin finish. Front has matching curvation to other Bradley Diplomat washroom accessories.

**WALL PLATE:** ABS plastic

**RESERVOIR:** Reusable, cap-sealed plastic tank; holds 27 oz (800 mL) of liquid soap or gel sanitizer

**BATTERY BOX:** Plastic, holds 4 "AA" Alkaline batteries (not included)

### Operation

Place hands under spout and hold to dispense liquid soap or gel sanitizer (2–3" sensing range). Sight gauge indicated refill time. Refill by unlocking lock with key (supplied), swinging open dispenser body. Remove cap to refill the internal tank.

### Installation

Verify all rough-in dimensions prior to installation. Secure separate mounting bracket with mounting screws (included) at holes provided. Unlock the cover. Open and remove tank. Secure unit to wall using the mounting screws. Install batteries (not included). Fill tank with bulk liquid soap or gel sanitizer. Close and lock the cover.

### Specification

Surface-mounted automatic liquid soap or gel sanitizer dispenser, with face formed contemporary contours, radii, and finish matching related accessories in manufacturer's designer series. Capacity 27 oz (800 ml). Equipped with hinged cover and completely concealed mounting plate. Vandal-resistant filler hole cover and sight gauge. Corrosion-resistant sanitizer valve.

**Overall Dimensions:** 4<sup>5</sup>/<sub>8</sub>" W x 10<sup>9</sup>/<sub>16</sub>" H x 4<sup>3</sup>/<sub>16</sub>" D

**MasterFormat Title:** Commercial Toilet Accessories

**MasterFormat Number:** 10 28 13.13

**OmniClass Title:** Soap Holders, Dispensers

**OmniClass Code:** 23.40.20.21.34




### Model

**6A03-110000** Liquid Soap / Gel Sanitizer Dispenser

### Finishes

 Brushed Stainless

### Product Compliance

 ADA / ICC ANSI A117.1, Citation 309.3

### Compatible Bradley Products

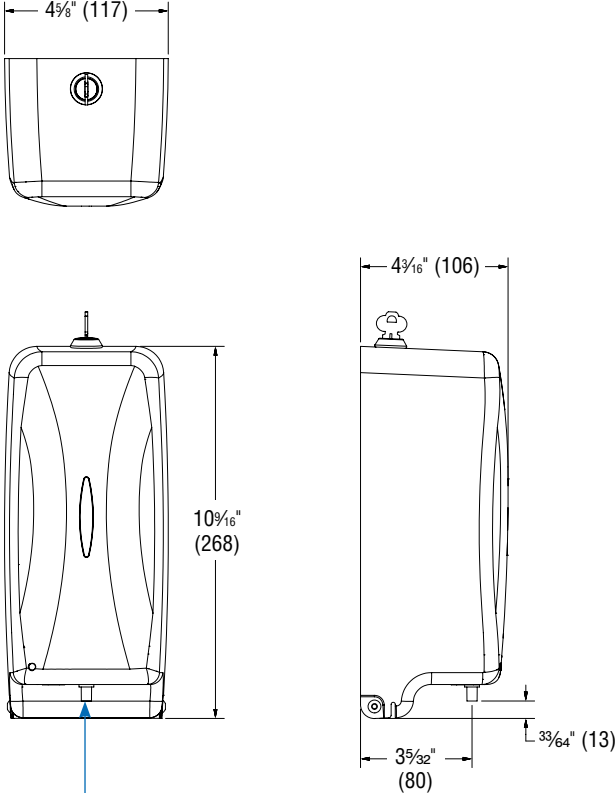
- 6A20-110000 Hand Sanitizer/Soap Dispenser Stand





**Dimensions**

(mm)



Dim. "A" to finished floor



Dim. "A" Key Surface:	For Dim. "A"	Locate Top of Unit	Locate Bottom of Unit
Bottom of dispensing tube to finished floor	48" (1219)	58" (1473)	47 1/16" (1205)
	45" (1143)	55" (1397)	44 1/16" (1129)
	42" (1067)	52" (1321)	41 1/16" (1053)
	40" (1016)	50" (1270)	39 1/16" (1002)

