



Dispenser Key Features

- Dispenses liquid sanitizer as a spray or mist rather than a pooled form
- Tank capacity of 27 oz (800 mL)
- Accommodates bulk 70%–95% Ethanol solution sanitizer
- Vandal-resistant filler hole cover and sight gauge
- Concealed mounting plate
- Corrosion-resistant sanitizer valve
- Compatible mounting with Bradley's 6A20-11 Hand Sanitizer/Soap Dispenser Stand

Product Material

BODY: Heavy gauge stainless steel with exposed surfaces in architectural satin finish. Front has matching curvation to other Bradley Diplomat washroom accessories.

WALL PLATE: ABS plastic

RESERVOIR: Reusable, cap-sealed plastic tank; holds 27 oz (800 mL) of most commercially available 70%–95% ethanol solution sanitizers

BATTERY BOX: Plastic, holds 4 "AA" Alkaline batteries (not included)

Operation

Place hands under spout and hold to dispense foaming liquid (2–3" sensing range). Sight gauge indicated refill time. Refill by unlocking lock with special key (supplied), swinging open dispenser body. Remove cap to refill the internal tank.

Installation

Verify all rough-in dimensions prior to installation. Secure separate mounting bracket with mounting screws (included) at holes provided. Unlock the cover. Open and remove tank. Secure unit to wall using the mounting screws. Install batteries (not included). Fill tank with bulk liquid sanitizer (70–95% Ethanol solution). Close and lock the cover.

Specification

Surface-mounted automatic liquid sanitizer spray dispenser, with face formed contemporary contours, radii, and finish matching related accessories in manufacturer's designer series. Capacity 27 oz (800 ml). Equipped with hinged cover and completely concealed mounting plate. Vandal-resistant filler hole cover and sight gauge. Corrosion-resistant sanitizer valve.

Overall Dimensions: 4⁵/₈" W x 10⁹/₁₆" H x 4³/₁₆" D

MasterFormat Title: Commercial Toilet Accessories

MasterFormat Number: 10 28 13.13

OmniClass Title: Soap Holders, Dispensers

OmniClass Code: 23.40.20.21.34




Model

6A02-11 Liquid Sanitizer Dispenser

Finishes

 Brushed Stainless

Product Compliance

 ADA / ICC ANSI A117.1, Citation 309.3

Compatible Bradley Products

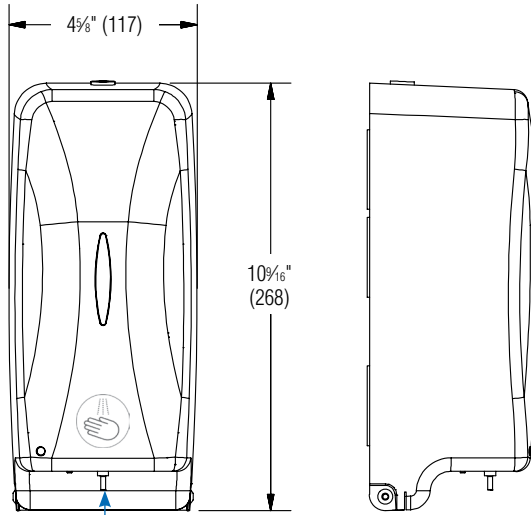
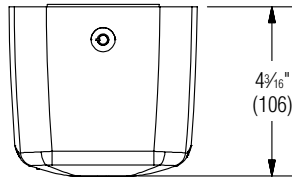
- 6A20-110000 Hand Sanitizer/Soap Dispenser Stand





Dimensions

(mm)



Dim. "A" to finished floor



Dim. "A" Key Surface:	For Dim. "A"	Locate Top of Unit	Locate Bottom of Unit
Bottom of dispensing tube to finished floor	48" (1219)	58" (1473)	47 1/16" (1205)
	45" (1143)	55" (1397)	44 1/16" (1129)
	42" (1067)	52" (1321)	41 1/16" (1053)
	40" (1016)	50" (1270)	39 1/16" (1002)

