

Recommended for high to very high traffic areas.

**2903-280000—Standard (110–120 volt, 16 amps, 60 Hz - White) *Bradex*<sup>®</sup>**

**2903-2800CE—European Export (220–240 volt, 10 amps, 50 Hz - White)**

## Product Materials

**COVER:** 1/4" (6 mm) thick one-piece cast iron with white porcelain enameled coating. Cover fixed to the base plate with two vandal-proof lock screws and lock with special key wrench.

**NOZZLE:** chrome-plated zamak. Nozzle is fixed.

**MOTOR:** universal-type protected by a 4-amp fuse with sealed self-lubricated ball bearings. Aluminum centrifugal turbine with double symmetrical inlet. Fireproof plastic UL 94-VO scroll fan.

**HEATING ELEMENT:** undulated nicrom with a safety thermostat.

**ELECTRONIC CONTROL:** electronic infrared detection sensor is adjustable (6"-10"). Switch-off delay is two seconds maximum.



Models 2903-28 and 2903-28CE have a proximity sensor mounted to the cover near the air outlet with a wire clipped to the base. Before completely removing the cover, the wire must be unclipped from the base.

**BASE PLATE:** 1/8" (3 mm) thick aluminum, with four Ø 5/16" (8 mm) holes for wall mounting.

## Guide Specification

Surface-mounted hand dryer shall have a thick cast iron cover with white porcelain enameled coating and aluminium back base. Hand dryer shall be fitted with a fixed chrome-plated zamak nozzle, infrared electronic control and universal-type motor with resilient mounts and sealed, lubricated ball bearings. Dryer shall operate at 70 dB while delivering 290 CFM of air at 128°F (53°C) and 5,512 LFM velocity during user-controlled drying cycle. The dryer shall have a total power of 1,850 W (2903-28) or 2,250 W (2903-28CE) with a consumption of 16 A (2903-28) or 10 A (2903-28CE).

**Overall dimensions: 10"H x 11-1/8"W x 8-1/2"D (254mm x 283mm x 216mm).**

**Weight: 23.35 lb (10.6 kg).**

## Product Specifications

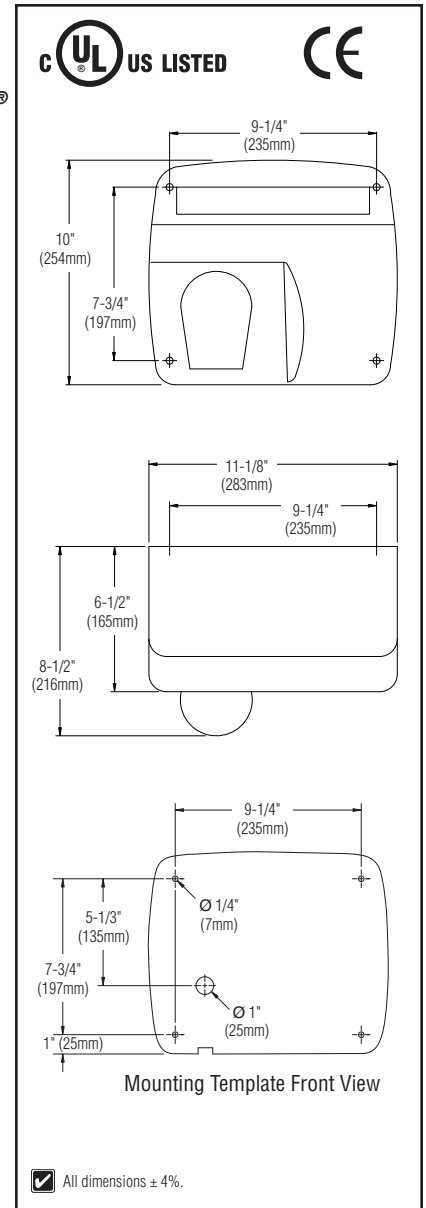
Voltage:	2903-28 — 110–120 V 2903-28CE — 220–240 V	Consumption:	2903-28 — 16 A 2903-28CE — 10 A
Motor:	1/3 HP (250W)	RPM:	5,500
Nominal power:	2903-28 — 1,850 W (2.5 Hp) 2903-28CE — 2,250 W (3 Hp)	Heating element:	1,600 W (2.15 Hp)
Effective airflow:	203 CFM	Nominal airflow:	290 CFM
Noise level at 79":	70 dB	Airspeed:	5,512 LFM
Frequency:	50/60 Hz	Insulation:	Grounding required
Temperature (at 4" distance / 70°F):	128°F (53°C)	Certificates:	2903-28 — UL 499/CSA C22.2 2903-28CE — VDE GS/VDE EMC/CE GOST
Drying time:	29 seconds	Mounting:	Surface

**Washroom Accessories  
Document No. 8236**

Orders composed of products indicated as **Bradex**<sup>®</sup> will be available to ship in three days after receipt of order at the factory. There is no pricing penalty for this service from Bradley.

This information is subject to change without formal notice.

4-2-2009



## Operation

Place hands 3"–6" below nozzle to activate air flow. Dryer will stop two seconds after hands are removed from air flow.

**Distributed by**  
**www.Ameraproducts.com**

**Phone: (800) 608-6568**

**Fax: (409) 840-5545**

**info@ameraproducts.com**