

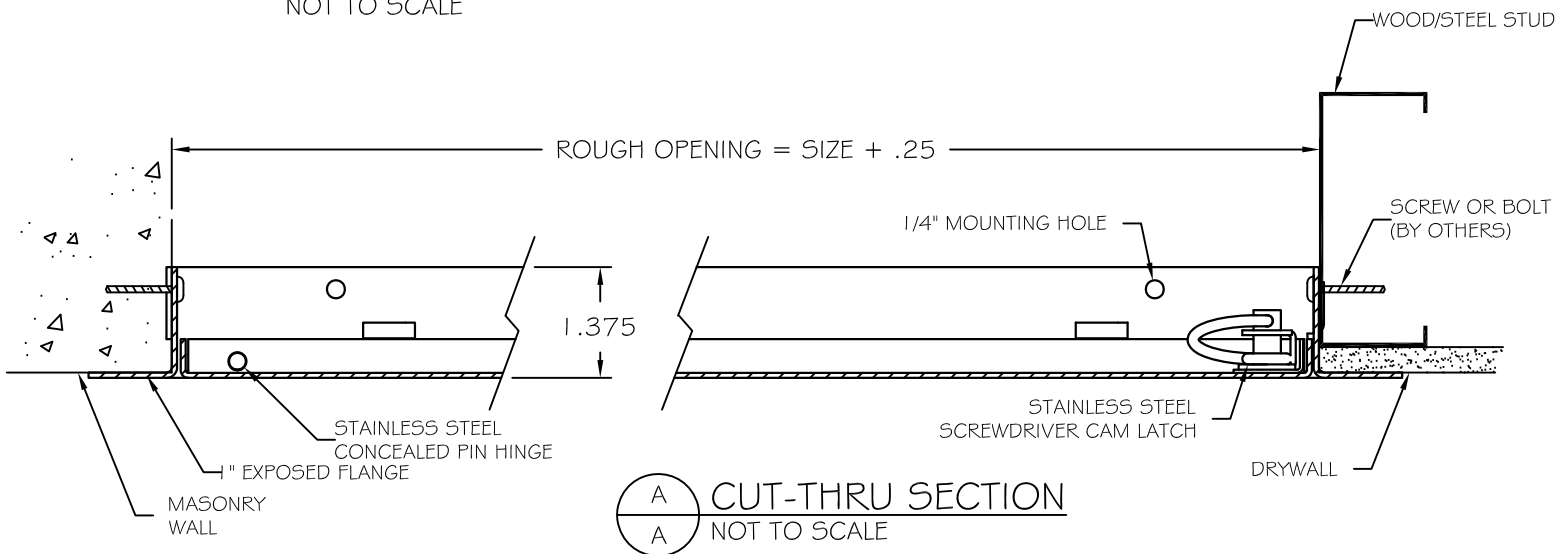
SPECIFICATIONS

- 16 GAUGE 304 SST DOOR WITH RETURN FLANGE FOR ADDED STRENGTH
- 16 GAUGE 304 SST FRAME
- STAINLESS STEEL CONCEALED PIN HINGE
- #4 SATIN FINISH
- FRAMES ARE PROVIDED WITH 1/4" MOUNTING HOLES
- SST FLUSH SCREWDRIVER OPERATED CAM LATCHES (QUANTITY AS REQUIRED BY SIZE)
- PATENT PENDING LATCH ASSEMBLY FOR SPOT FREE FINISH ON DOOR FACE.

OPTIONS

- HEXHEAD OPERATED CAM LATCHES
- ALLEN HEAD SECURITY CAM LATCHES
- KEY OPERATED CAM LOCK
- PREPARATION FOR 1.125" MORTISE CYLINDER (CYLINDER PROVIDED BY FACTORY OR BY OTHERS)
- GASKET

FRONT ELEVATION
NOT TO SCALE



CUT-THRU SECTION
NOT TO SCALE

Distributed by
www.Ameraproducts.com
 Phone: (800) 608-6568
 Fax: (409) 840-5545
 info@ameraproducts.com

Standard Features:

Door: 16 gauge 304 stainless steel
Frame: 16 gauge 304 stainless steel with 1" Flange
Hinge: Stainless steel concealed pin hinge
Latch: Stainless steel screwdriver operated cam latch(es)
Finish: #4 satin polish finish

Specifications:

Frame shall be 16 gauge 304 stainless steel with 1" flange. Door shall be fabricated from 16 gauge 304 stainless steel. Hinge shall be stainless steel concealed pin hinge. Latch(es) shall be stainless steel screwdriver operated cam type. Finish shall be #4 satin polish finish.

Installation shall be in accordance with manufacturers instructions. Manufacturer shall guarantee against defects in material and workmanship for a period of one year.

Standard Sizes:

Std Sizes (in)	Std Sizes (mm)	Weight	Latches
08x08	203x203	4	1
12x12	305x305	7	1
14x14	356x356	8	1
16x16	406x406	11	1
18x18	457x457	12	1
24x24	610x610	18	1

*Custom sizes available upon request.

All units are hinged on the second dimension (height). Rough opening is size plus 1/4".

