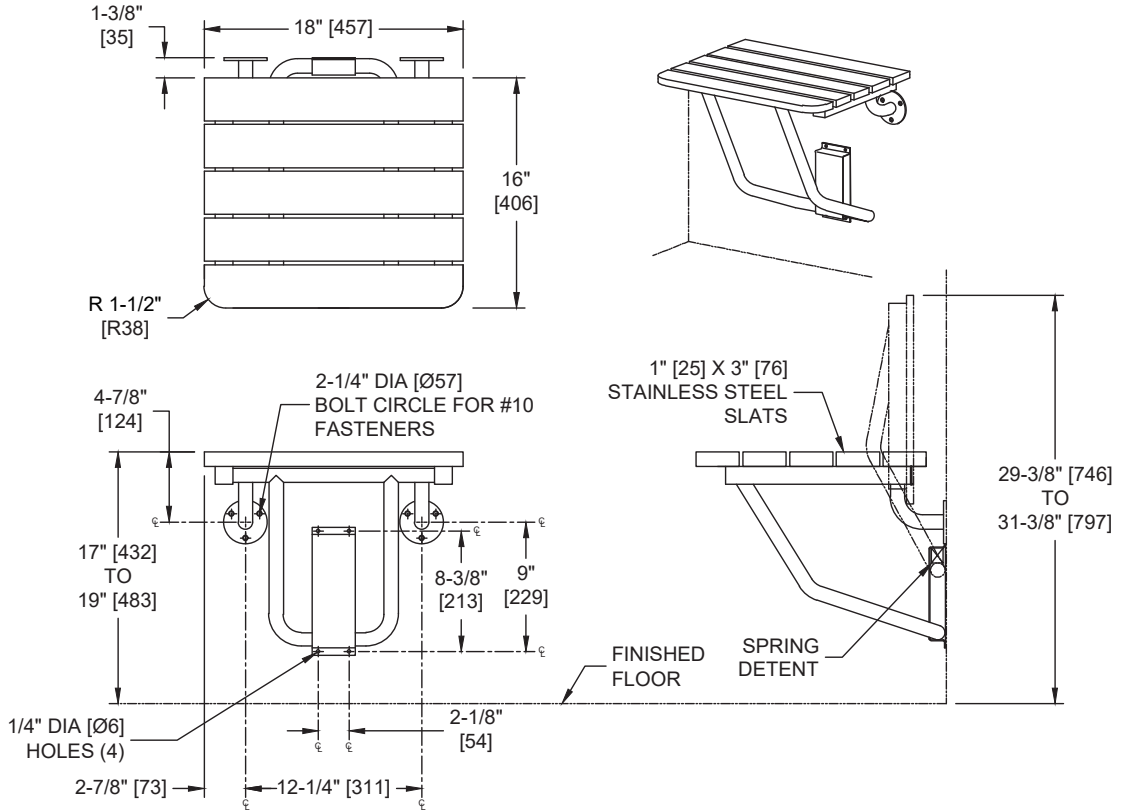


Folding Shower Seat, Stainless Steel, ADA

Shower/Tub Accessories

MasterFormat Section 10 28 13



Scan for Information



SUSTAINABILITY/LEED

MR 4.1 (1) MR 6 (1) EQ 4.2 (1)
MR 4.2 (1) EQ 4.1 (1) EQ 4.4 (1)

NOTE:
ALL DIM'S INCH [MM]
ILLUSTRATION FOR REF ONLY AND NTS

PRODUCT OVERVIEW

Seat has slatted design and is fabricated of type 304 stainless steel. Features a self-locking mechanism. Seat measures 18" [457] wide and projects 17-3/8" [444] from wall.

KEY FEATURES & SPECIFICATIONS

- Rectangular - ADA Compliant
- Slotted Seat (for drainage) folds up when not in use - Requires only one hand operation to manually lower to horizontal position for use or raise for departure and arrival.
- Seat and Body made of Type 304 Stainless Steel - Satin Finish
- Support load of 250 lbs to 500 lbs maximum if installed properly
- Surface Mounted
- Seat is Slotted for Drainage

Distributed by
www.Ameraproducts.com
Phone: (800) 608-6568
Fax: (409) 840-5545
info@ameraproducts.com

OPERATION & MAINTENANCE

Fold-up Shower Seat requires only one hand operation to manually lower to horizontal position for use or raise for departure and arrival. Guide bracket with spring detent prevents seat from dropping and provides positive support in usage position as well as spring locked storage position.

TECHNICAL INFORMATION / PRODUCT PROPERTIES

Property	Value
Dimensions	Fold Down: 18" [457] W x 17" [432] to 19" [483] H x 16" [406] D Fold Up: 18" [457] W x 29-3/8" [746] to 31-3/8" [797] H x 16" [406] D
Construction	Seat and Body made of Type 304 Stainless Steel - Satin Finish Seat is Slotted for Drainage
Mounting	Surface Mounted
Materials	<p><u>Tubes:</u> 18 gauge (.048" [1,22] thick) type 304 stainless steel, 1" Dia. [Ø25] and 1-1/4" [32] square. Unitized all welded construction. Exposed surfaces are satin finish. Edges and corners are radiused and burr free.</p> <p><u>Flanges:</u> 3/16" (4.8), type 304 stainless steel. Exposed surfaces have satin finish. Edges are radiused, and burr free.</p> <p><u>Brackets:</u> 16 gauge (.06" [1,52] thick) type 304 stainless steel. Exposed surfaces are satin finish. Edges and corners are radiused and burr free.</p> <p><u>Seat:</u> 18 gauge (.048 in. thick) type 304, stainless steel slats. Exposed surfaces have a satin finish. Edges and corners are radiused and burr free.</p> <p><u>Retainer:</u> Stainless steel wire type 304 OD 27/32" [Ø21,6] coils x 2-1/4" [57.2] body length x .085" Dia. [Ø2,2] wire.</p>

INSTALLATION

This unit is surface mounted. Installer/construction contractor must provide concealed anchor plate or blocking as specified in construction documents or as required by local building codes prior to wall finishing. Fasten unit flanges and guide bracket to concealed anchor or blocking plate with appropriate hardware. Note that concealed mounting plates or anchors and hardware are not supplied with this product and must be specified separately. Ensure that mounting configuration complies with local building codes.

CAPACITY

WARRANTY

One (1) Year from date of Invoice

