



**AMERICAN SPECIALTIES, INC.**

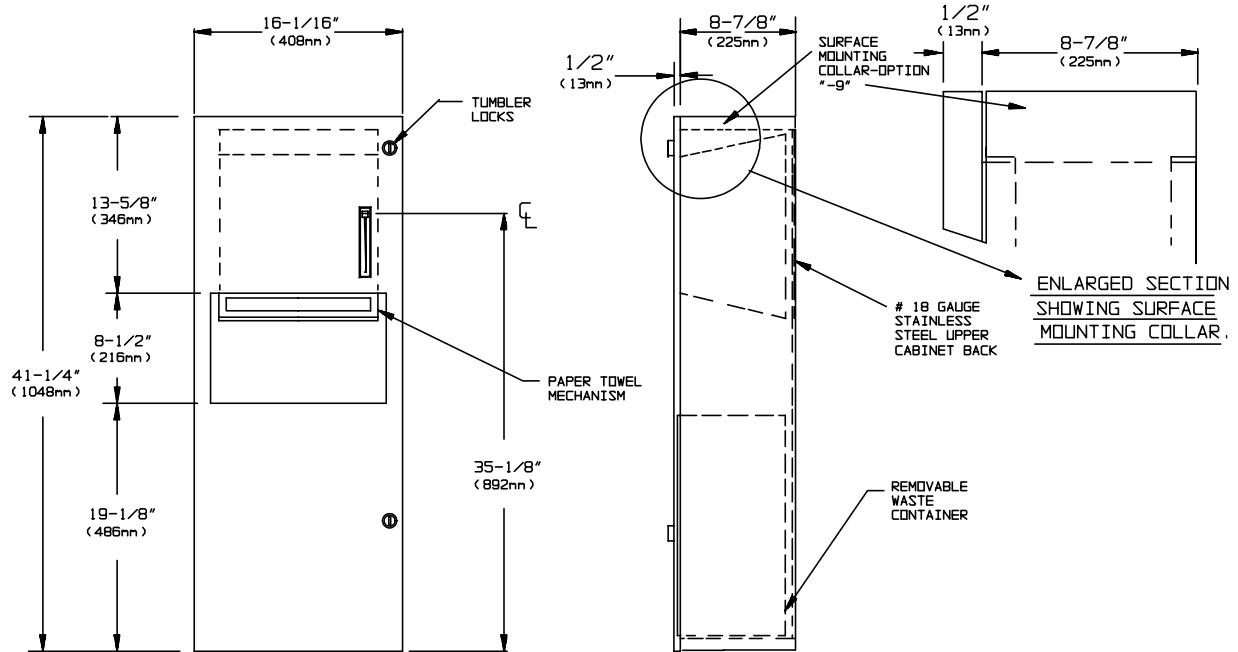
441 Saw Mill River Road, Yonkers, NY 10701

MODEL No: 64696-9

ISSUED: 1-87

REVISED: 5-05

**SURFACE MOUNTED ROLL PAPER TOWEL DISPENSER AND WASTE RECEPACLE**



**SPECIFICATION**

Surface Mounted Roll Paper Towel Dispenser and Waste Receptacle shall hold and dispense one 8" or 9" wide standard towel roll up to 800 ft. (244m) long and one stub roll up to 4" (102mm) diameter and shall have a waste capacity of 10 gal. (38 liters). Cabinet, door, skirt, dispenser and waste receptacle shall be fabricated from alloy 18-8 stainless steel, type 304. Full face door shall be 18 gauge formed from one piece with no miters, welding or open seams on face with a 1/2" (13mm) return to wall and shall be attached to cabinet at side with a full length 3/16" (5mm) stainless steel multi-staked piano hinge and be held closed with two (2) tumbler locks keyed like other ASI washroom equipment. Cabinet shall be 20 gauge and skirt shall be 22 gauge. Towel dispensing slot shall have a fully hemmed-in rolled edge for snag-free dispensing and user safety. Waste receptacle shall have hemmed edges for safety and a finger grip for easy servicing and removal. Structural assembly of all components shall be of welded construction. All exposed surfaces shall be N° 4 satin finish and shall be protected during shipment with a PVC film easily removable after installation. Unit shall be supplied with SM collar (skirt) to convert to surface mounting, option "-9".

**Surface Mounted Roll Paper Towel Dispenser and Waste Receptacle shall be Model N° 64696-9 as manufactured by American Specialties, Inc., 441 Saw Mill River Road, Yonkers, New York, 10701-4913.**

**INSTALLATION**

Mount unit on wall with four (4) N° 10 self-tapping screws (by others) through mounting holes in cabinet. For compliance with ADA Accessibility Guidelines, install unit so that towel dispenser lever is 54" (1372mm) maximum above finished floor (AFF) if clear floor side reach access is provided or 48" (1219mm) maximum AFF if clear floor forward reach access only is provided.

**OPERATION**

Towels are fed by lever action until supply is depleted. Towel feed length is adjustable for economy by pin (supplied) limiting of lever stroke length. Unit may be reloaded with a full roll to automatically start when finished with an existing partial roll. Waste receptacle is emptied manually on a cycle determined by maintenance needs. Locking door prevents unauthorized access or removal.

Accessory Specialties

AMERICAN DISPENSER

Desert Ray Products

WATROUS INC.