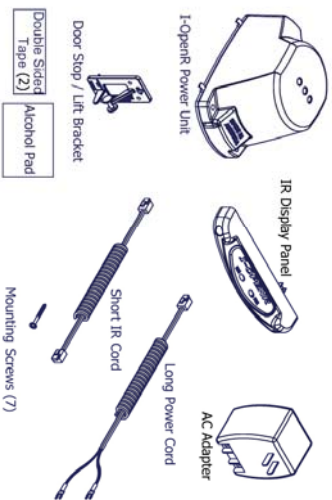




Model #CSD-1000 Installation Guide and Warranty

Included in packaging:



Your I-OpenR can be installed with common tools. Typically you will need:

- #2 Phillips Screwdriver
- 1/8 Flat Blade Screwdriver
- Electric Drill with 1/2" bit
- Permanent Marker/ Pencil

Note: The I-OpenR is completely self adjusting, which will allow for minor dimensional errors. This function makes installing the I-OpenR easy.

INSTALLATION STEPS:

Step 1:
Find the approximate centerline of door and ceiling of bin. Refer to figure 1-1.

Step 2:
Open door all the way. Mark bottom edge of door on ceiling of bin. Refer to figure 2-1.

Step 3:
Before mounting Power Unit, drill 1/2" hole through trash can wall for Power Cord inlet. Pull thru enough Cord to allow tying a knot, providing enough slack to reach Jack #1. Knot reduces stress on Jack. See Fig. 4-1. Plug the Long Power Cord in Jack #1 and Short IR Cord into Jack #2 on back of Power Unit. Make sure cords snap into place. Refer to figure 3-3.

Step 4:
Clean ceiling area with alcohol pad. Apply Foam Tape to Power Unit slots to hold Unit while mounting. Attach Front (rope side) of the Power Unit 1"-2" behind door mark on ceiling, placing rope on the centerline. Insert the 3 screws to complete the Power Unit mounting. Refer to figure 3-1.

Step 5:
Using 2 Screws, mount Door Stop/Lift Bracket to centerline of door in line with rope. Place small tabs under bottom edge of door. (Note: This lower tab portion may be clipped off if door already has a positive stop.) Refer to figure 3-1 and 3-2.

Step 6:
After routing the short cord over the top of the door, plug it into the back of the Display Panel. Using 2 screws, attach Display Panel over the centerline, above the door. Display panel should be directly above door, NOT on the door. Door may require notching for cord protector trough. Refer to figure 1-1 and figure 3-4.

Fig: 1-1

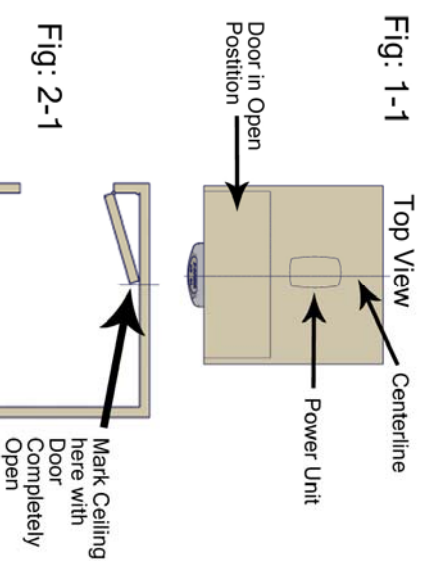


Fig: 2-1

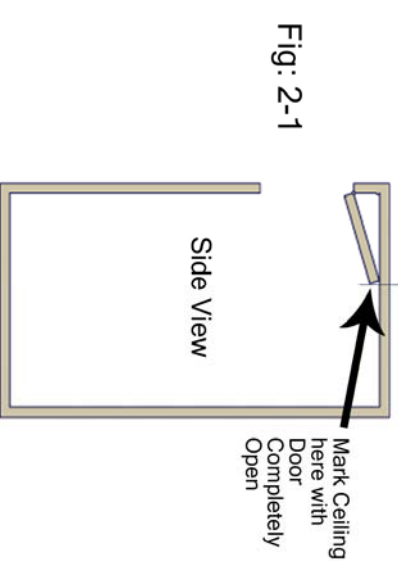


Fig: 3-1

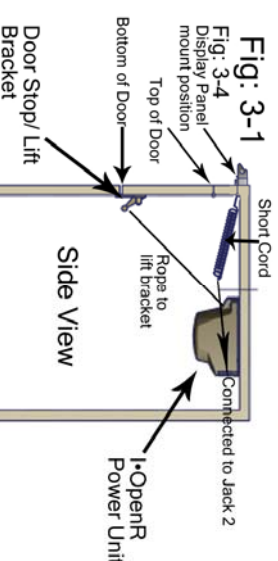


Fig: 3-2

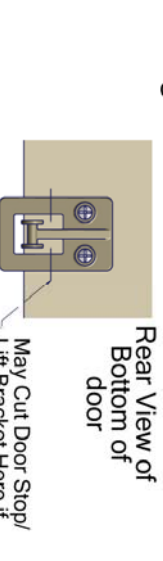


Fig: 3-3

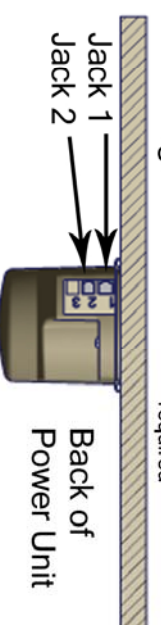
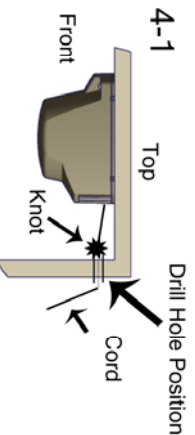


Fig. 4-1



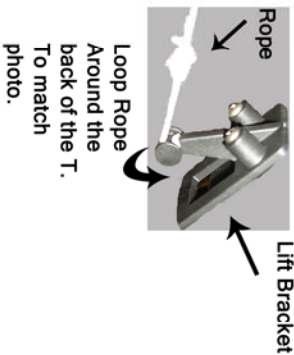


Model #CSD-1000 Installation Guide and Warranty

Step 7:

Tuck short cord under the tabs along the side of the power unit. Pull out moderate length of rope from the Power Unit. Wrap loop around T section of Door Stop / Lift Bracket. Refer to figure 3-1 on reverse side and illustration 1-1.

ill. 1-1 Top



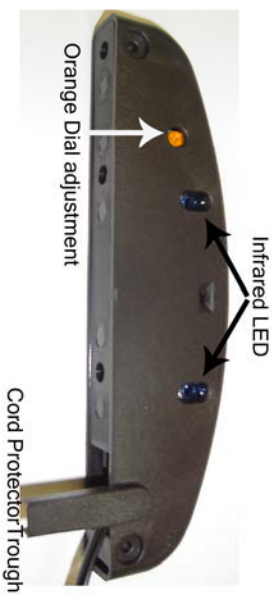
Step 8:

Route Power Cord in a location that will be avoided. Attach spade terminals to AC adapter. Plug AC Adapter in to wall outlet.

Testing Unit Instructions:

Step 9:

Using a small flat blade screwdriver, fine tune IR Display Panel. Turn orange dial clockwise to increase IR range, Turn dial counter-clockwise to reduce IR range. See Photo:



Step 10:

Solid Green LED on Display Panel indicates normal operation. Blinking Red LED indicates trash is full or approaching full depending on reflectivity of certain trash. (This may vary from load to load.) See Photo Below.



Maintaining I-OpenR:

- Keep IR Display Panel clean and free of debris.
- Be sure to position AC Adapter and Power Cord in an unobtrusive location.

Warranty Information

KZCCO Inc. will warranty all new *I-OpenR's* sold against defective material and/or workmanship for a period of ONE YEAR (factory rebuilt I-OpenR's carry a 90 day warranty) from the date of end user purchase. Any defective part will be repaired or replaced at KZCCO's option, at no charge, providing the customer returns the defective unit to KZCCO (pre-paid) along with a factory issued Return Authorization Number and a brief description the problem. This warranty does not apply if the product has been damaged by improper installation, neglect, accident, misuse, or as a result of service or modification by other than an authorized KZCCO service center. All costs of removing and re-installing the product are the customer's responsibility. KZCCO will not pay for shipping charges incurred in sending the defective product from the customer to KZCCO, but will pay for return shipment UPS standard ground. This warranty is expressly in lieu of all other warranties, expressed or implied, and all other obligations or liabilities on the part of KZCCO. In no event shall KZCCO be liable for any direct, incidental, or consequential damages of any nature, or losses or expenses resulting from any defective product or the use of any product. The repair or replacement of a product is the customer's exclusive remedy. This warranty gives the customer specific legal rights, and the customer may also have other legal rights which vary from state to state. All items returned for warranty consideration must be accompanied by a Return Authorization Number available only from KZCCO. Phone: (402) 944-2767.

Commercial units, #CSD-1000, are eligible for our 24 hour quick ship exchange program if requested. Replacement units are guaranteed to ship within 24 hours of receipt of defective unit Monday through Friday, regular business days. Return shipment will be via UPS ground service. Optional overnight service may also be available at an additional expense.