

# Lipper

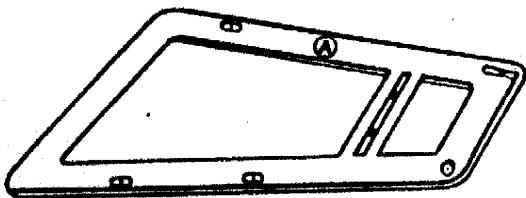
International Inc.

## ASSEMBLY INSTRUCTIONS Item 516N

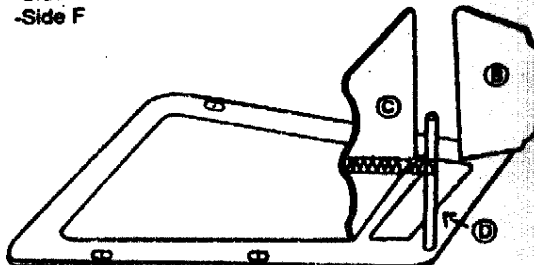
### CONTENTS:

Quantity	Description
14	JCBC M6 diam x 40mm
02	Pre-assembled side panels
01	Back panel, 12" x 6-5/16"
01	Seat panel, 13" x 10-5/8" w/straps
01	Barrier bar, 11-15/16" x 1-1/4" diam
01	Horizontal strut, 14-11/16" x 1-3/4"
02	Horizontal struts, 18-7/16" x 1-3/4"

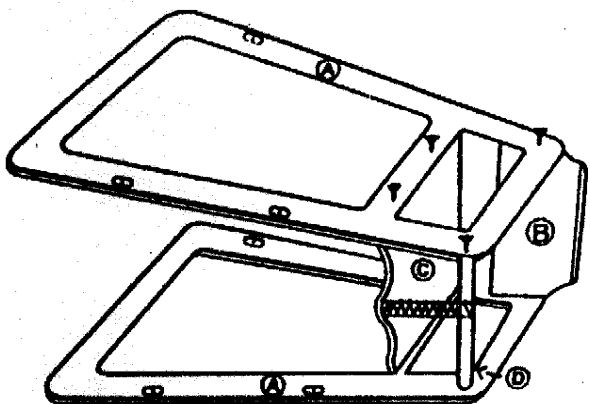
"Please use wood glue when assembling joints"



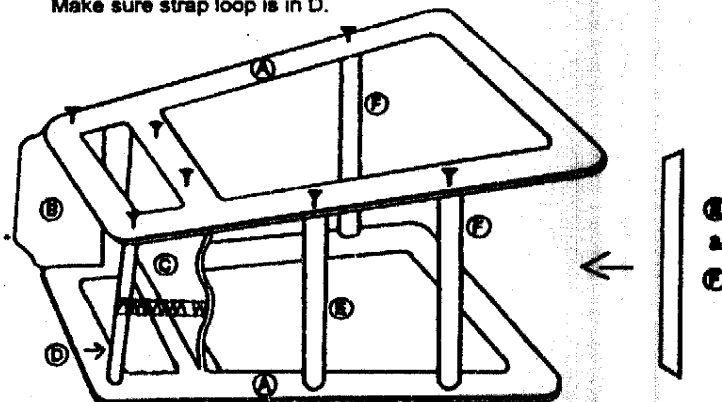
1. Place side A on flat surface with Slot facing up.



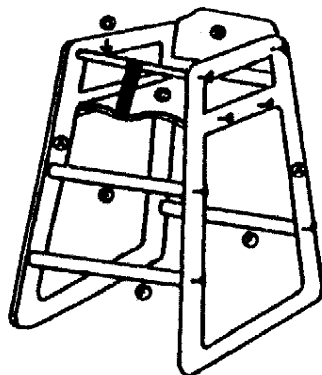
2. Insert back B into slot. (warning instructions at the back) tap in with palm
3. Insert seat C into slot. waist belt screwed ends are at the bottom of seat, tap in.
4. With strap uncoiled, attached bar D into slot. Make sure strap loop is in D.



5. Place remaining side A on top of B, C & D, tap in place. This will hold in place until secured.
6. Starting with back B install screws loosely in B, C & D.



7. Turn chair over and install screws as in step 6.
8. Tap shorter bar E into slots, making sure angle cuts on ends are properly aligned (shorter width at top), install screw.
9. Tap in bottom bars F, install screws.



10. Turn chair upright and tighten all screws.

**WARNING : NEVER LEAVE CHILD IN HIGH CHAIR UNATTENDED**  
**Maintenance : Periodically tighten screws, as needed**  
**Clean with mild detergent and soft cloth**