

**BROCAR**  
Dedication to Innovation

Literature            200 series documents  
C.O.I.S. TD            400 series documents  
CSI 3 part            600 series documents

**C.O.I.S.**  
**Technical Data Sheet**

**C**AD  
**O**peration  
**I**nstallation  
**S**pecification

Document #409  
Issued 08-2007

MODEL  
100SS-R

Surface mount version-  
See document #408

Stock item as of Sept. 07

**Document Index**

Pg. 1    Coversheet

Pg. 2    CAD Drawings

Pg. 3-5    Install/CMW (Cleaning, Maintenance, Warranty)



**INSTALL FOR ADA COMPLIANCE (CA)**

**SIDE VIEW OPEN**

- **Max Protruding Objects**

- o 4.4.1
- o Unit does not exceed 4ö.

- **Forward Reach**

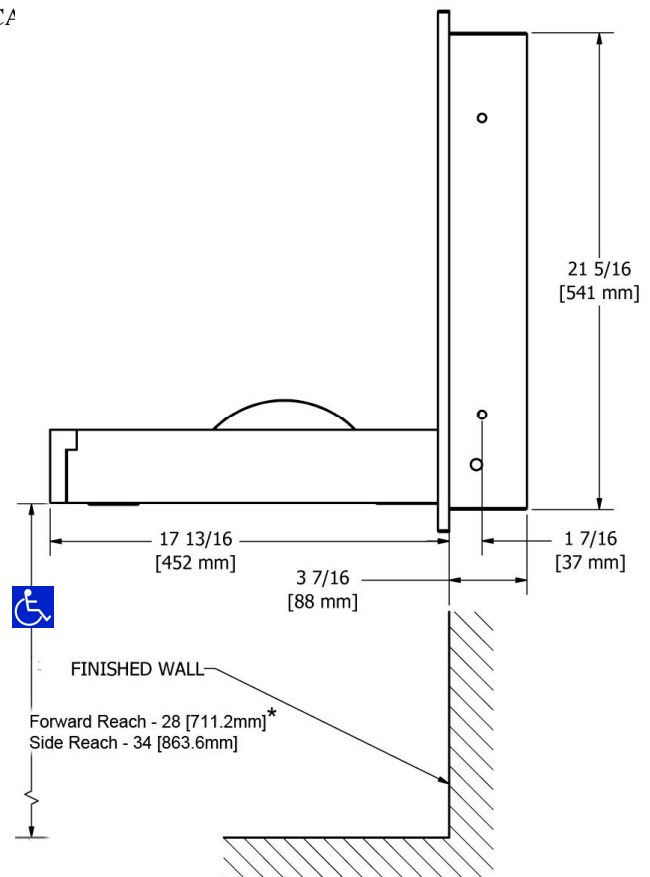
- o 4.2.5
- o Mount no higher than 28ö AFF.

- **Side Reach**

- o 4.2.6
- o Mount no higher than 34ö AFF.

- **Operations**

- o 4.27.4
- o Compliant

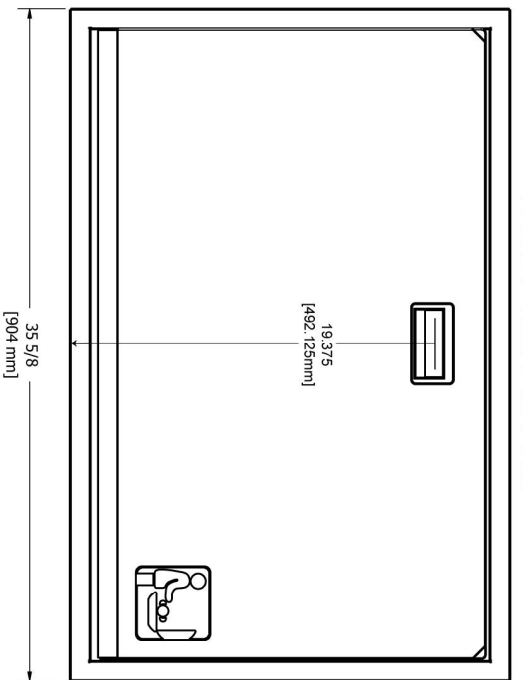


Also available as PDF

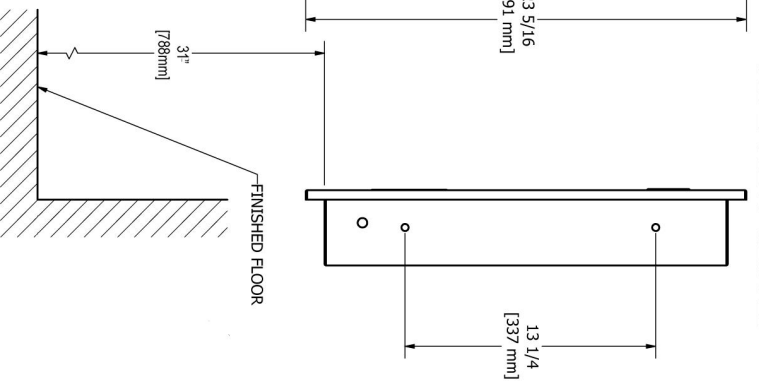


Stock item as of Sept. 07

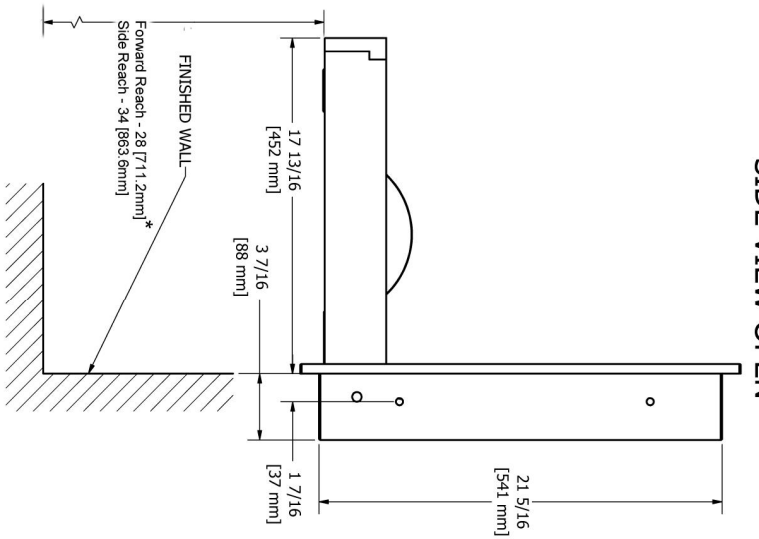
FRONT VIEW CLOSED



SIDE VIEW CLOSED

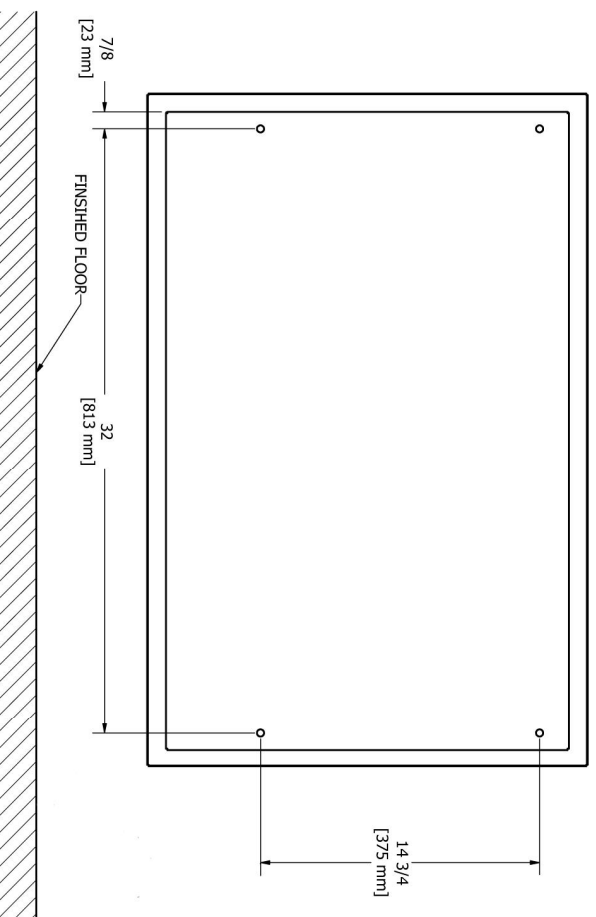


SIDE VIEW OPEN

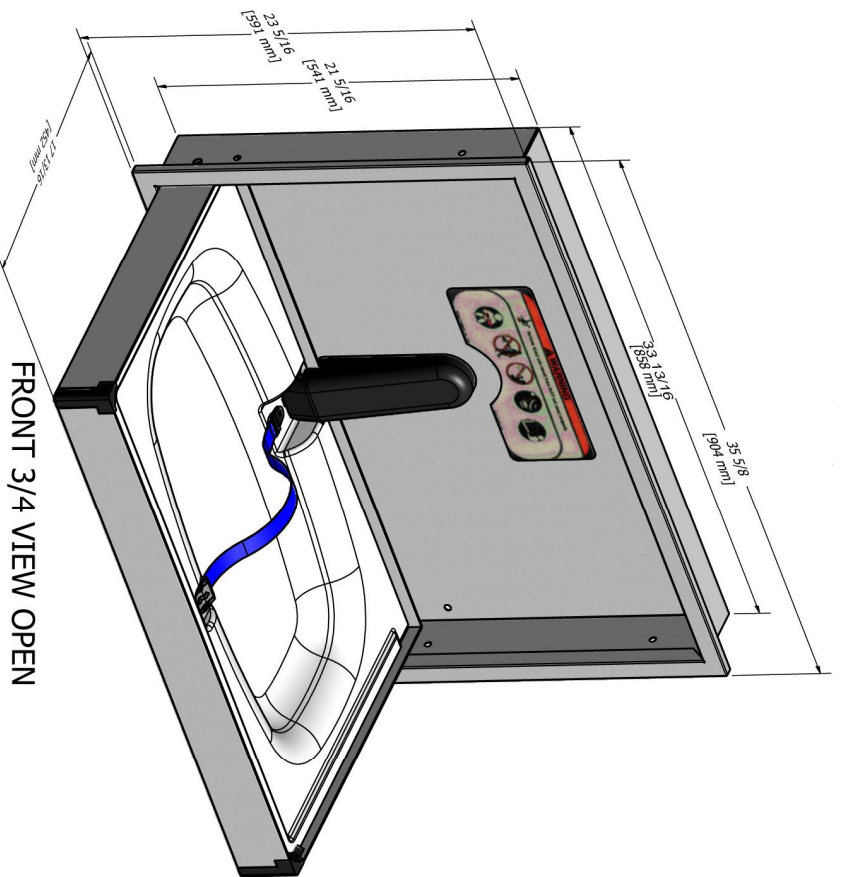


\*For ADA Compliance of either forward or side reach (see cover sheet for further details)

BACK VIEW



FRONT 3/4 VIEW OPEN



## 100SS-R

### Operation:

Pneumatic cylinder provides controlled, slow opening and closing of bed. No hinge structure exposed on interior and exterior surfaces. Changing surface resists odors and bacterial growth. Rated for infant and accessories up to 50lbs (22.68kg) when properly installed.

*Warning:* Diaper changing stations are no stronger than the anchors or walls to which they are attached and, therefore, must be firmly secured in order to support the loads for which they are intended.

### CMW

- **Cleaning-**  
Brocar polyethylene and stainless diaper changing stations should be cleaned with a soft cloth or sponge and a non-abrasive cleaner. Warm water or an organic solvent can be used. The preferred solvent is one that does not contain chlorine, such as acetone, methyl alcohol or mineral spirits. There are many compounded or blended organic cleaners commercially available to optimize attributes of both cleanliness and safety.
- **Inspection:**  
Safety strap: Inspect the buckle and strap for proper functioning as part of the facility's washroom cleaning and maintenance schedule.

Closing cylinder: If the unit will not stay fully closed, the closing cylinder may need to be replaced.

Safety label: If the safety label is missing, restrict the unit from use by taping it closed as well as labeling the unit "inoperable" or removing the unit from the wall until a new label is installed.

Hinges, mounting hardware: Ensure that the hinges and mounting bolts are not loose by pulling the unit toward you and from side to side. If any play exists greater than 1/4" or 2.5mm in any direction, discontinue use of the unit by taping it closed or removing it from the wall, as well as labeling the unit "inoperable." Contact professional maintenance personnel to diagnose and correct the problem.

- **Instructions For Use**  
Information for product use is presented in the form of five graphic symbols within labeling adhered to each product. The symbols and color scheme designs comply with ANSI Z535.4 Product Safety Signs & Labels, ANSI Z535.3 Criteria for Safety Symbols and ANSI Z535.1 Safety Color Code. As noted above, verification of this label's presence on the unit should be made as part of daily cleaning.

- Warranty and Liability  
 Product Liability Insurance                      General Liability: \$1,000,000.Excess liability \$10,000,000.  
  
 Warranty    Brocar Products, Incorporated warrants its products against defective material and manufacturing defects (but not improper use) for a period of five years after sale. Brocar Productø's liability under this warranty shall be limited to the repair or replacement of the defective product. There shall be no other remedy available, including without limitation, recovery for incidental or consequential damages, injury to person, property, or any other incidental or consequential loss.

*The warranty described above shall be IN LIEU OF any other warranty, expressed or implied, including without limitation, any implied warranty of MERCHANTABILITY or fitness for a particular purpose.*

**Installation:**

The unit has six recess mounting holes. Wood double stud blocking is necessary. See recommended blocking or contact an architect and building official to make sure the blocking is adequate and complies with building codes.

Recommended Blocking: 21.75ø(522mm) x 34.25ø(870mm).

**Drilling the Holes and Mounting the Station:**

1. Slide changer into blocking area. Mark mounting hole locations on blocking studs.
2. Pre-drill holes marked in step 1 using a 3/16" drill bit.
3. Slide changer into blocking area again and shim for a snug fit. Fix the changer into the pre-drilled holes using #10 x 3" (M6 x 76mm) flat head wood screws with finishing washers and flat washers or pan head wood screws with flat washers. Make sure you have taken the operating clearance into consideration.

For all other wall substrate types, please contact an architect or qualified building engineer for installation recommendations.

Specifications:

Stainless Steel Diaper Changing Stations

1. Acceptable product: Brocar Products, Inc.; Model 100SS-R (recessed)
2. Characteristics:
  - a. Full body brushed stainless steel, seamless welds
  - b. Provide Brocar Products 200-SSLD, stainless steel liner dispenser

Materials:

Entire body Type - brushed stainless steel. Full stainless steel frame and hinges provide maximum durability; equipped with a pneumatic cylinder. Unit features ABS tray liner; smooth concave changing area; nylon safety strap, and universal instruction graphics.