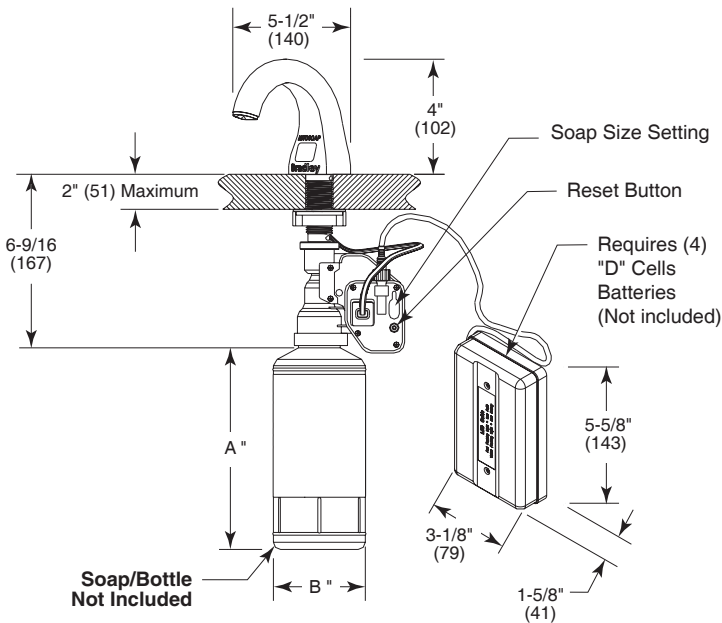




SENSOR OPERATED SOAP DISPENSER

- ADA Compliant
- Reliable Infrared Metering Activation
- LED Light Indicators for Low Battery & Low Soap Refill
- Battery Powered (4) "D"-cell Batteries, not Included
- 5-1/2" Spout

Bradex™



SOAP BOTTLE DIMENSIONS		
Capacity	A	B
27 oz. 1000 Shots	9" (229 mm)	3-1/4" (83 mm)
54 oz. 2000 Shots	10-1/2" (267 mm)	4-1/16" (103 mm)

Note: Soap bottle not included.
(Must Be Ordered Separately)

CONSTRUCTION:

- **SPOUT ASSEMBLY** fabricated of chrome plated plastic. Has LED light indicators:
(Yellow flashing light) = low battery.
(Red flashing light) = low soap.
- **MOTOR ASSEMBLY** fabricated of plastic. Soap cartridge size automatically set for 1000 shot (27 oz.) bottle. If using 2000 shot (54 oz.) bottle, you need to move switch located under rubber plug, by red reset button, to 2K. Once soap cartridge is installed, press refill reset button (red). This will automatically prime the soap refill bottle and initiate counting mechanism.
- **BATTERY BOX** fabricated of plastic, holds 4 "D"-cell Alkaline Batteries (not included).

OPERATION:

Place hands under soap spout and hold for approximately 2 seconds. Spout will dispense Lotion Soap with Moisturizer, Antibacterial soap, or Lotion soap.

SOAP REFILLS:

Bradley offers Lotion soap with Moisturizer in 1000 shot (P19-232B) or 2000 shot (P19-232A) in case quantity only. Bottles are not refillable.

INSTALLATION:

Mount dispenser in 1" diameter hole in lavatory or counter-top 1-1/2" from edge of sink. Shank will accommodate a maximum counter thickness of 2". Place (4) "D"-cell alkaline batteries (not included) into battery box. Plug battery box into motor assembly. Remove white clip from bottom of spout assembly. Insert soap bottle supply tube through spout assembly. Twist and lock soap bottle onto bottom of spout assembly. Reattach white clip to bottom of spout assembly and top of soap bottle. Press and release reset (red) button located on spout assembly.

GUIDE SPECIFICATION:

Sensor operated soap dispenser spout assembly shall be fabricated of chrome plated plastic. Have LED indicators for low soap and low battery. Be able to dispense 0.027 oz. in any of the following soaps: Lotion soap with Moisturizer, Antibacterial, or Lotion soap.

Orders composed of products indicated as **Bradex™** will be available to ship in one week after receipt of order at the factory. There is no pricing penalty for this service from Bradley.

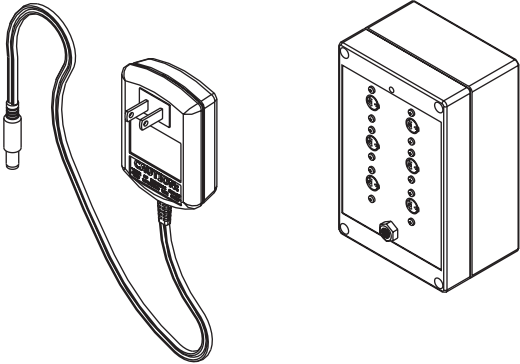
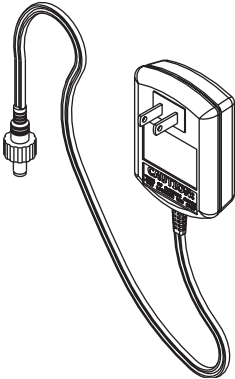


Document No. 8633

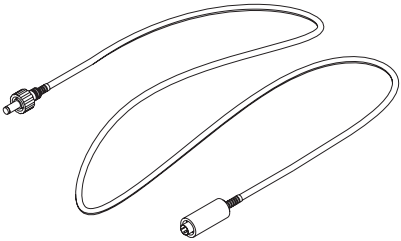
SENSOR OPERATED SOAP DISPENSER – ADDITIONAL PARTS FOR PURCHASE

SOAP:	
Suffix	Feature
<input type="checkbox"/> P19-232B	1000 shot or 27 oz. Lotion soap with Moisturizer
<input type="checkbox"/> P19-232A	2000 shot or 54 oz. Lotion soap with Moisturizer
AC ADAPTOR:	
<input type="checkbox"/> P19-231F	Single soap dispenser adaptor
<input type="checkbox"/> P19-231G	Adaptor for up to 4 dispensers (need P19-231H for each dispenser)
<input type="checkbox"/> P19-231H	Wire assembly (to be used with P19-231G which requires 1 of these for each dispenser to be hooked up. Up to 4 per P19-231G adaptor)

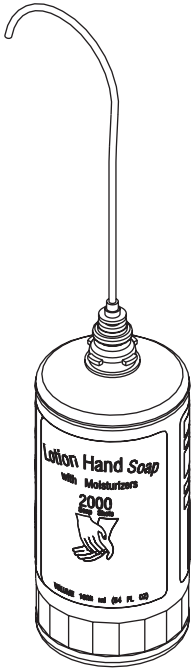
P19-231F
(AC Adaptor for single soap dispenser)



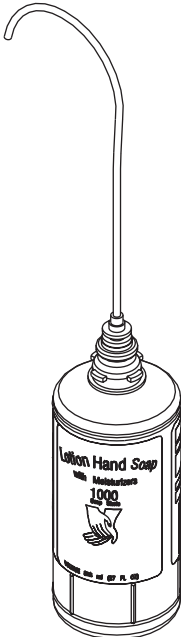
P19-231G
(AC adaptor for up to 4 soap dispensers)



P19-231H
(Wire assembly)



P19-232A
54 oz., 2000 shot



P19-232B
27 oz., 1000 shot

Lotion Soap with Moisturizer sold in case quantity
– 4 bottles per case.

Note: Need 1 for each dispenser to be connected to P19-231G. Max 4 P19-231H to every P19-231G.