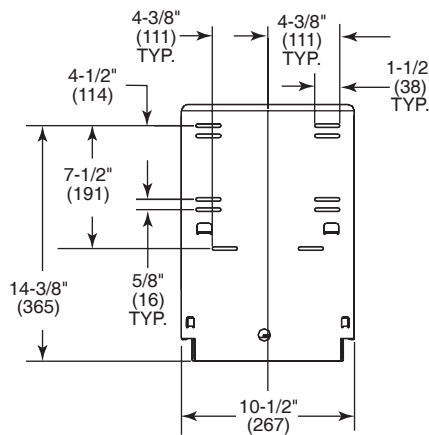
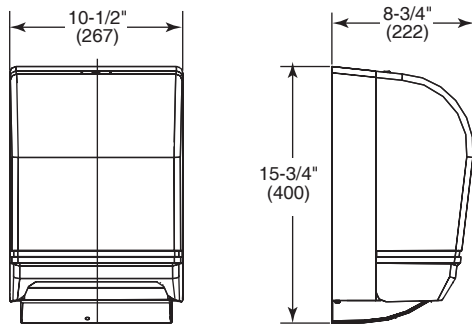


TOWEL DISPENSER

- Surface Mounted
- Sensor Operated
- Roll Towel **Bradex™**



| Service Parts Available | |
|-------------------------|-----------------------|
| Part Number | Description |
| P15-390 | Key |
| P15-391 | Permanent Key Knob |
| P15-392 | Replacement Mechanism |
| P15-393 | AC Conversion Pack |



CONSTRUCTION:

- UNIT body fabricated of heavy gauge steel. Door fabricated of navy translucent high-impact plastic.

CAPACITY:

- Dispenses non-perforated roll towels up to 8" in diameter and 8" wide with core sizes from 1-1/2" - 2".

OPERATION:

Towels are dispensed automatically when hands are placed at a natural position below the dispenser. Standard sheet length is nominal 12". Operates with 4 "D" size alkaline batteries. Batteries are not included. Automatic transfer system with 2-3/4" diameter stub roll capacity. Low battery indicator. Sheet is fully protected until dispensed.

INSTALLATION:

Secure to wall using convenient mounting slots and use appropriate mounting devices supplied by installer.

GUIDE SPECIFICATION:

Dispenser sides and back shall be fabricated from heavy gauge steel, pre-treated and finished with a baked enamel. The cover shall be fabricated of navy translucent high-impact plastic.

Dispenser shall have a sensor operated towel dispensing mechanism. The sensor is to be located at a place below the dispenser for natural hand position towel activation and retrieval.

Dispenser will be provided with a key activated spring lock, which can easily be converted to push-button operation.

Dispenser shall include a transfer system which will automatically start feeding the paper web of the top roll when the lower roll is nearly depleted.

The drive mechanism, transfer system, roll holders and door shall be field replaceable. Complies with FCC regulation on EMC.

Overall dimensions: 10-1/2"W x 15-3/4"H x 8-3/4"D.

Surface Mounted Roll Paper Towel Dispenser shall be Bradley Model 2490.

Orders composed of products indicated as **Bradex™** will be available to ship in one week after receipt of order at the factory. There is no pricing penalty for this service from Bradley.



Document No. 8212

This information is subject to change without formal notice.
© 2005 Bradley Corporation
10-21-2005