

**PLANNING GUIDE FOR ACCESSIBLE RESTROOMS**

**CURRENT ADA AND ICC COMPLIANCE DATA**

**AN INTRODUCTION TO BOBRICK'S ADA-COMPLIANT PRODUCTS, AS WELL AS BASIC MOUNTING HEIGHTS AND REACH RANGES**

**BOBRICK**

**BUILDING VALUE SINCE 1906**

Distributed by  
[www.Ameraproducts.com](http://www.Ameraproducts.com)  
Phone: (800) 608-6568  
Fax: (409) 840-5545  
[info@ameraproducts.com](mailto:info@ameraproducts.com)

**PLANNING GUIDE FOR ACCESSIBLE RESTROOMS**

**CURRENT ADA AND ICC COMPLIANCE DATA**

**AN INTRODUCTION TO BOBRICK'S ADA-COMPLIANT PRODUCTS, AS WELL AS BASIC MOUNTING HEIGHTS AND REACH RANGES**

**BOBRICK**

**BUILDING VALUE SINCE 1906**

Distributed by  
[www.Ameraproducts.com](http://www.Ameraproducts.com)  
Phone: (800) 608-6568  
Fax: (409) 840-5545  
[info@ameraproducts.com](mailto:info@ameraproducts.com)

# RESTROOMS ESSENTIAL AMENITY FOR MEETING NEEDS OF OCCUPANTS AND CODE COMPLIANCE REQUIREMENTS

Distributed by  
www.Ameraproducts.com  
Phone: (800) 608-6568  
Fax: (409) 840-5545  
info@ameraproducts.com



**Bobrick's SureFlo® Automatic Soap Dispensers activated from a wheelchair**



**Bobrick's ADA-compliant vendor is only model to unquestionably meet ADA Guidelines**



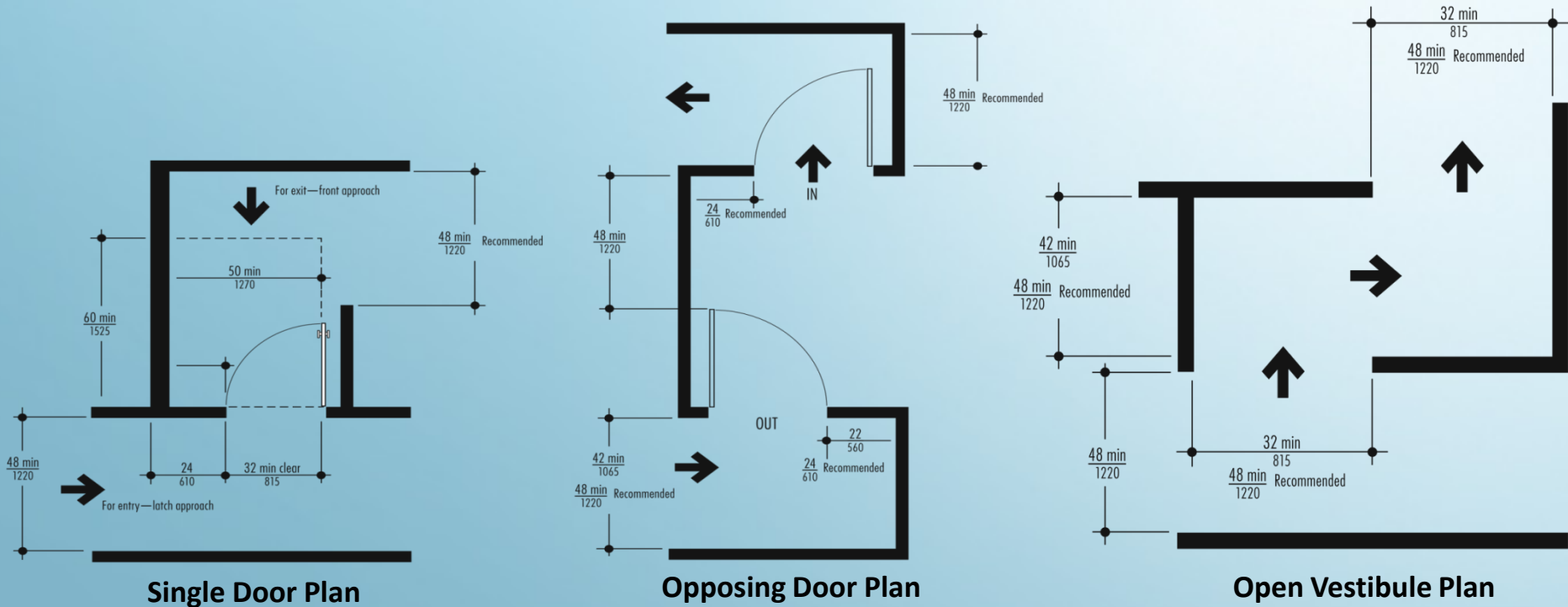
**Bobrick's recessed accessories conform to protruding objects guidelines**



**Bobrick's grab bars meet ADA-compliant layouts**

## Planning an Accessible Restroom

- MINIMIZE CONGESTION AT ENTRANCES AND EXITS
- OPEN VESTIBULE PLAN MOST RECOMMENDED
- MEET OR EXCEED MINIMUM MANEUVERING CLEARANCES



# Entrances and Exits



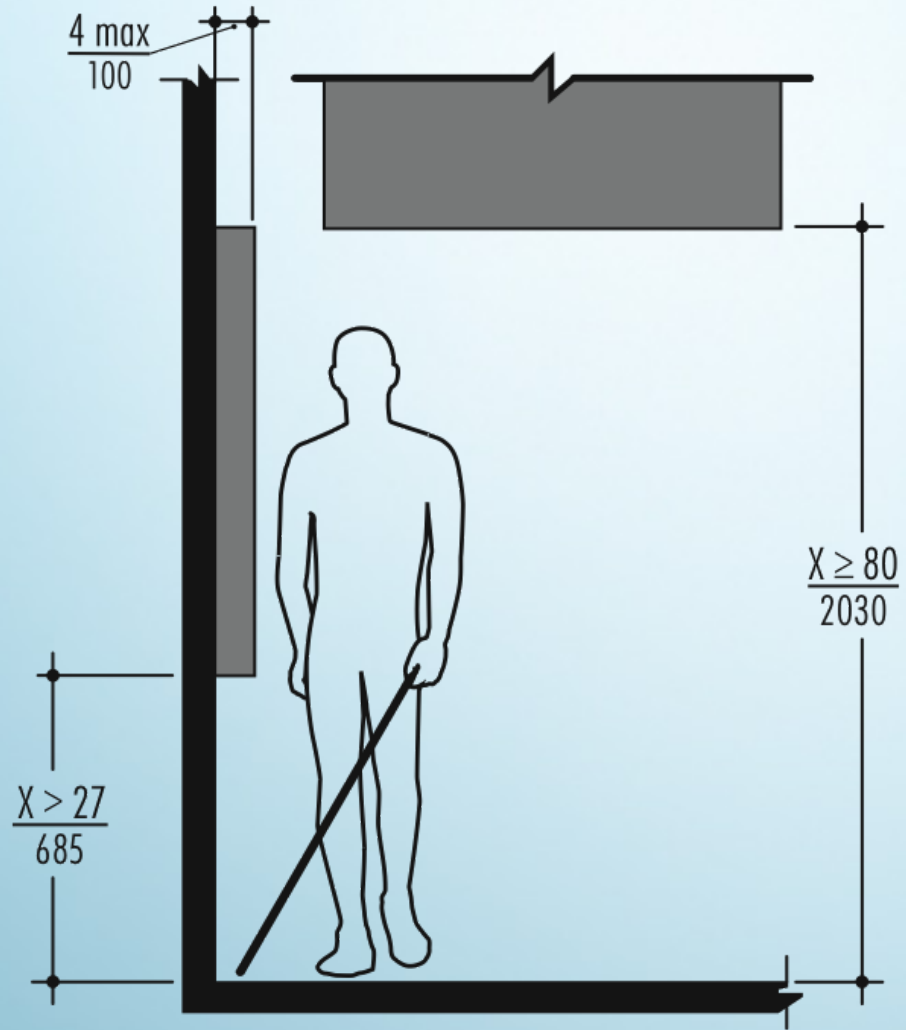
- BOBRICK'S TOILET COMPARTMENT DOORS MEET ADA STANDARDS
- OUTSWING DOORS MUST CLOSE COMPLETELY
- NEW STANDARDS OFFER A VARIETY OF DOOR LOCATION AND DIMENSION OPTIONS



Distributed by  
[www.AmeraProducts.com](http://www.AmeraProducts.com)  
Phone: (800) 608-6568  
Fax: (409) 840-5545  
[info@ameraproducts.com](mailto:info@ameraproducts.com)

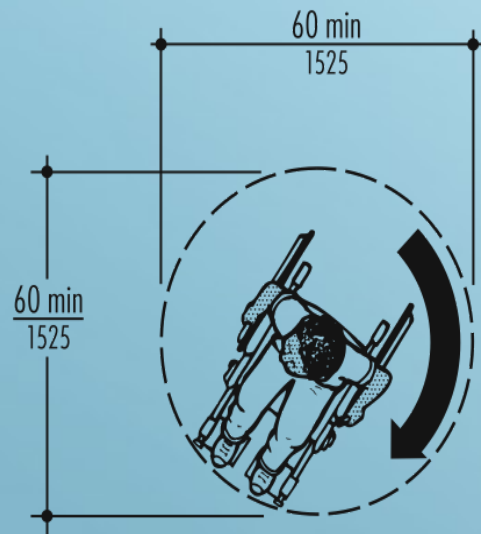
## Passageways and Access Aisles

- LIMIT PROTRUSIONS TO MAXIMUM 4" BETWEEN 27" AND 80" ABOVE THE FLOOR
- STANDARD DESIGNED FOR PEOPLE WHO USE A CANE AND CRUTCHES
- BOBRICK'S RECESSED MODELS AND ADA-COMPLIANT DRYER MEET THE 4" PROTRUSION GUIDELINE

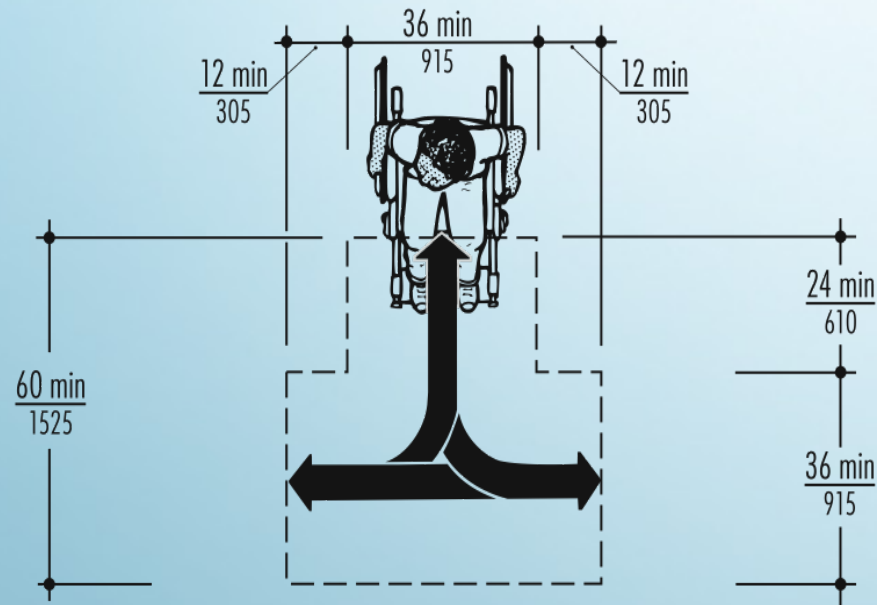


## Accessory Leading Edges

- TURNING SPACES CAN BE EITHER A 60" CIRCULAR OR T-SHAPED SPACE, 36" WIDE
- SPACE ALLOWS A WHEELCHAIR TO MAKE A 180-DEGREE OR 360-DEGREE TURN
- T-SHAPE SPACE ALLOWS FOR A THREE-POINT TURN
- PORTION OF THE 60" MAY BE LOCATED UNDER FIXTURES, LAVATORIES OR ACCESSORIES IF KNEE AND TOE CLEARANCE IS CLEAR



60" Diameter Turning Space



T-Shaped Turning Space

# Wheelchair Turning Space

Distributed by  
[www.Ameraproducts.com](http://www.Ameraproducts.com)  
 Phone: (800) 608-6568  
 Fax: (409) 840-5545  
[info@ameraproducts.com](mailto:info@ameraproducts.com)

- RECESSED ACCESSORIES SHOULD BE INCLUDED IN EVERY TOILET COMPARTMENT
- LOCATION IS THE SIDE WALL NEAREST THE TOILET TO AVOID INTERFERENCE WITH MANEUVERING SPACE OR GRAB BAR ACCESS
- NO PART OF ACCESSORIES MOUNTED ABOVE GRAB BARS CAN EXTEND CLOSER THAN 12" TO THE TOP OF THE GRAB BAR
- OPERATING MECHANISMS AND ACCESSIBLE OPENINGS SHOULD BE LOCATED 18" - 48" ABOVE THE FLOOR AS ILLUSTRATED WITH BOBRICK'S COMBINATION UNIT



## Recessed Accessories

Distributed by  
[www.Ameraproducts.com](http://www.Ameraproducts.com)  
Phone: (800) 608-6568  
Fax: (409) 840-5545  
[info@ameraproducts.com](mailto:info@ameraproducts.com)

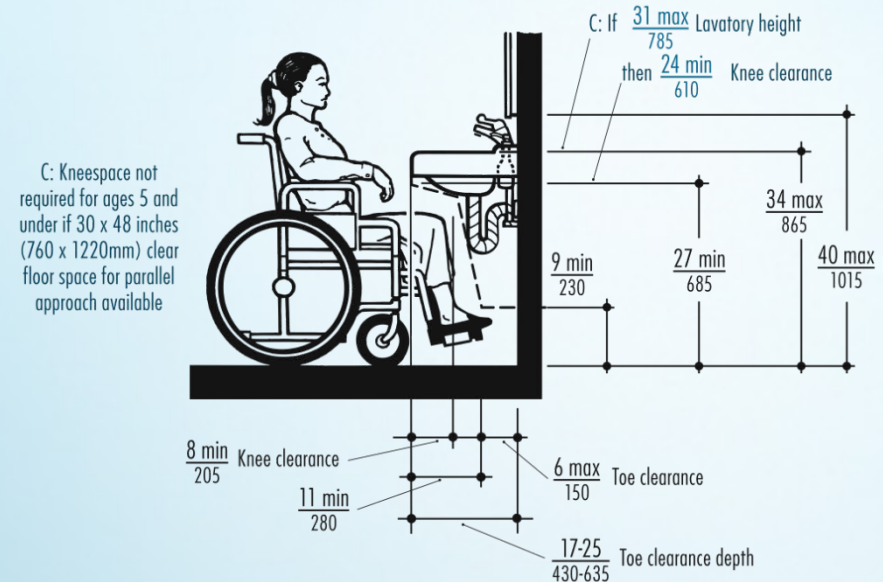


- BOBRICK'S RESTROOM ACCESSORY CONTROLS MEET ADA STANDARDS
- BOBRICK'S PUSH BUTTONS, VALVES, KNOBS AND LEVERS ARE COMPLIANT
- CONTROLS MUST BE OPERABLE WITH ONE HAND, WITHOUT TIGHT GRASPING, PINCHING OR TWISTING OF THE WRIST AND REQUIRE LESS THAN 5 POUNDS OF FORCE
- CONTROLS POSITIONED OVER SUFFICIENT FLOOR SPACE FOR LEFT- AND RIGHT-HAND APPROACHES



## Controls and Operable Parts

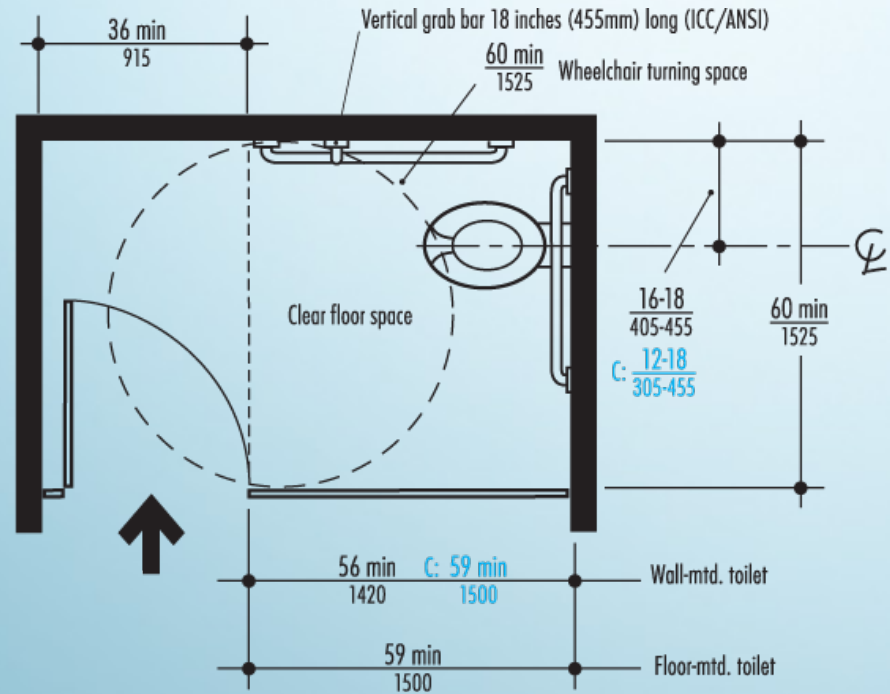
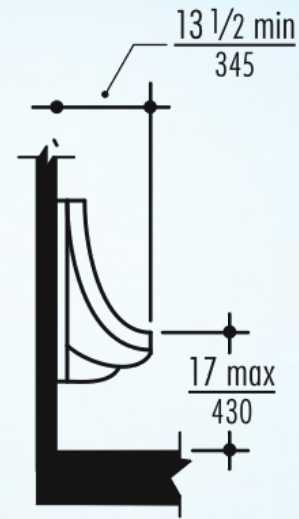
- CLEAR FLOOR SPACE MUST BE PROVIDED IN FRONT AND UNDER THE LAVATORY 30" WIDE BY 48" DEEP MINIMUM
- TOE CLEARANCE UNDERNEATH LAVATORY MUST BE PROVIDED 17" TO 25" MAXIMUM WITH CLEARANCE 9" MINIMUM ABOVE THE FLOOR
- WATER SUPPLY, DRAIN PIPES AND EXPOSED SURFACES MUST BE INSULATED TO PROTECT AGAINST CONTACT



Distributed by  
[www.Ameraproducts.com](http://www.Ameraproducts.com)  
 Phone: (800) 608-6568  
 Fax: (409) 840-5545  
[info@ameraproducts.com](mailto:info@ameraproducts.com)

## Clear Floor Space

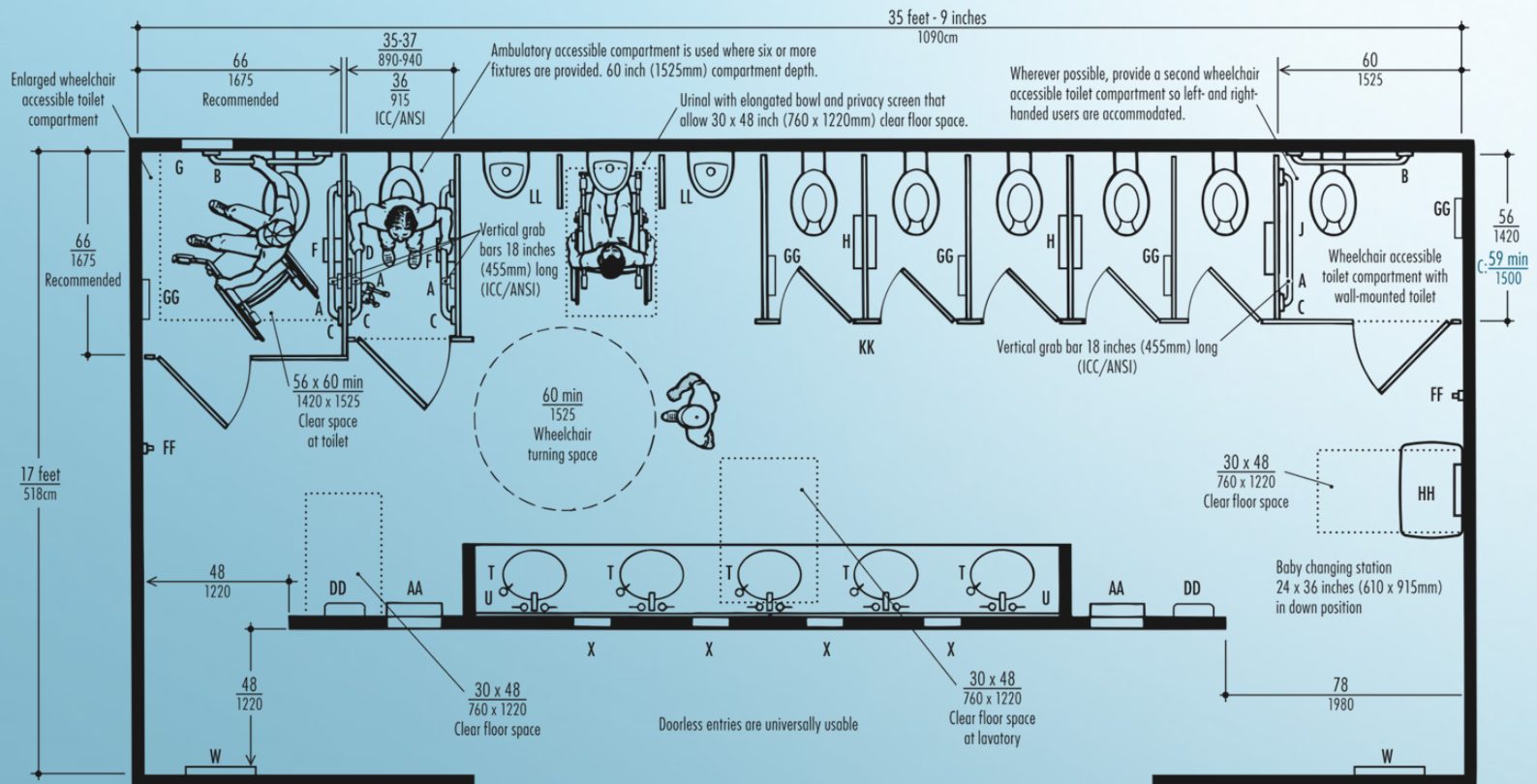
- AT LEAST ONE AREA MUST MEET OR EXCEED ADA STANDARDS FOR ACCESSIBLE LAVATORIES
- ACCESSIBLE LAVATORY MUST BE INSTALLED AS CLOSE TO THE FRONT EDGE AS POSSIBLE, 34" MAXIMUM ABOVE THE FLOOR
- KNEE SPACE MUST HAVE CLEARANCE OF AT LEAST 27" AND EXTEND 8" UNDER THE FRONT EDGE OF THE LAVATORY
- WHEELCHAIR ACCESSIBLE COMPARTMENTS MUST ACCOMMODATE DIAGONAL, SIDE AND PERPENDICULAR TRANSERS
- AT LEASE ONE WALL-HUNG OR STALL-TYPE URNIAL MUST BE INSTALLED WITH THE RIM 17" MAXIMUM ABOVE THE FLOOR



Distributed by  
[www.Ameraproducts.com](http://www.Ameraproducts.com)  
 Phone: (800) 608-6568  
 Fax: (409) 840-5545  
[info@ameraproducts.com](mailto:info@ameraproducts.com)

# Lavatories, Urinals & Toilet Compartments

- WHERE THERE ARE 6 OR MORE TOILETS OR URINALS, ONE AMBULATORY ACCESSIBLE TOILET COMPARTMENT IS REQUIRED
  - FIGURE SHOWS AN ACCESSIBLE RESTROOM WITH UNIVERSAL DESIGN FEATURES
  - BOBRICK’S RESTROOM ACCESSORIES ARE ADA COMPLIANT
- Accessible restroom with features that meet and exceed 2010 ADA and 2009 ICC/ANSI Standards**

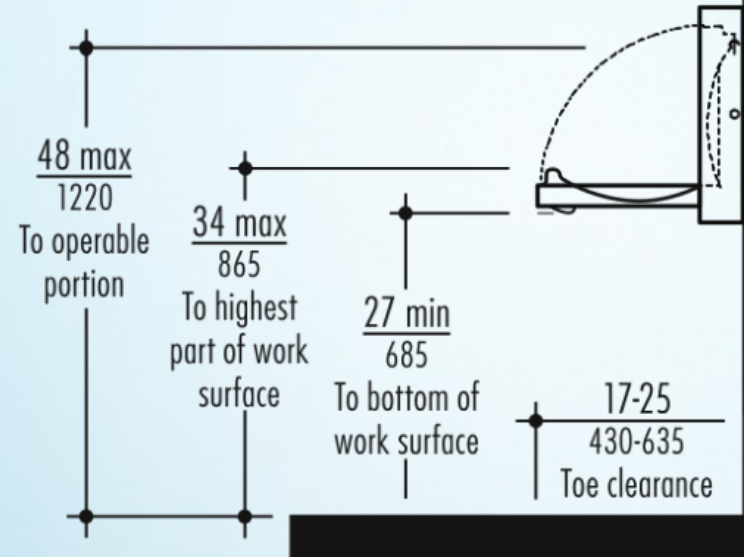


# Accessible Toilet Compartments

Distributed by  
**www.Ameraproducts.com**  
 Phone: (800) 608-6568  
 Fax: (409) 840-5545  
 info@ameraproducts.com



- BABY CHANGING STATIONS ARE INCREASINGLY FOUND IN MEN'S AND FAMILY RESTROOMS IN ADDITION TO WOMEN'S RESTROOMS
- KOALA KARE (A DIVISION OF BOBRICK) BABY CHANGING STATIONS ARE ADA-COMPLIANT
- LOCATE SO AS NOT IMPEDE REQUIRED CLEAR FLOOR SPACE, EVEN WHEN THE BED IS OPEN
- WHEELCHAIR ACCESS SHOULD CONFORM TO ADA STANDARDS IN TERMS OF FRONT OR RIGHT AND LEFT SIDE APPROACHES
- MOUNTING HEIGHT WITH BED IN DOWN POSITION IS 34" MAXIMUM, KNEE SPACE 27" MINIMUM AND TOE CLEARANCE BENEATH 17"-25" MAXIMUM



Distributed by  
www.AmeraProducts.com  
Phone: (800) 608-6568  
Fax: (409) 840-5545  
info@ameraproducts.com

# Baby Changing Stations