

DOUBLE LEAF DOMED SMOKE VENT - UDFV™

Fusible Link: The smoke vents are equipped with a UL listed 165° F fusible link for automatic operation. The fusible link can be quickly and easily replaced.

Sizes: Roof Opening Size is Order Size.

Insulation: The curb has 1" rigid fiber insulation.

Construction: Dome frame is a minimum thickness of .072 aluminum and provides a self-contained sloping condensation and weepage gutter for drainage. Covers are one piece acrylic dome (either white translucent or clear). The 14 gauge steel dome retaining frame is secured to the 14 gauge galvanized steel curb frame. The galvanized steel curb and curb frame fully welded and ground smooth, continuous bulb gasket and is insulated for weather tightness.

Operation: Torsion spring drives open the covers automatically. Shock absorbers control the speed of the leaves as they open.

Hardware: Heavy gauge aluminum 3/16" pivot hinges. Pull handles are provided for exterior or interior manual operation.

Finish: 2 coats prime coat.

Wind/Live Load & Uplift: Covers shall open against 10 psf (49 kg/m²) snow/wind load. Vent assembly rated for 40 psf (195 kg/m²) live load. Covers will remain closed under 90 psf (438 kg/m²) wind uplift force.



STEP 1: Select Model on table or enter a custom size

STEP 2: Select Dome

White Clear

STEP 3: OPTIONS AT ADDITIONAL COST:

McCabe Link



24 ga galvanized outer curb liner

370° UL Listed Fuse Link (replaces 165° fuse link)

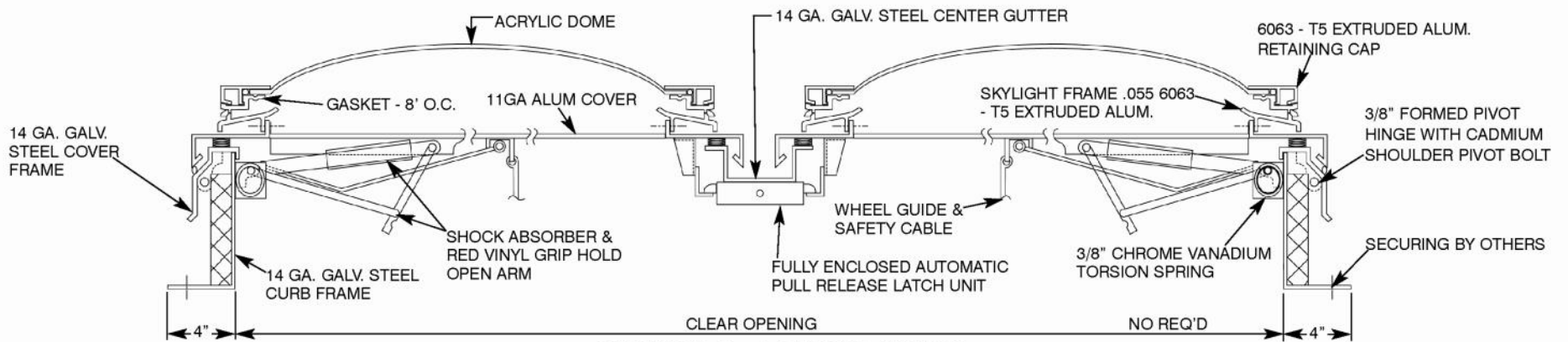
Security Grille to Fit Opening

QTY	MODEL	ROOF OPENING Width x Length (hinge side)
	UDFV-1	48" x 48"
	UDFV-2	48" x 72"
	UDFV-3	48" x 90"
	UDFV-4	48" x 96"
	UDFV-5	60" x 60"
	UDFV-6	60" x 96"
Other Sizes		

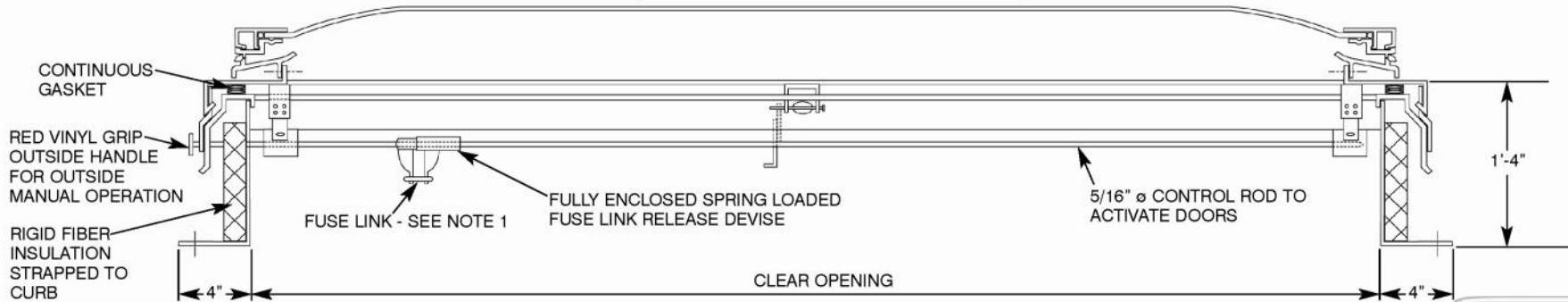


 9702 NEWTON AV S, BLOOMINGTON MN 55431	 MANY LOCATIONS NATIONWIDE	Distributor:	Project:
		Contractor:	Approved By:
		Date:	Architect:
		Scale: N/A Pages: 1 of 2	Item #


DOUBLE LEAF DOMED SMOKE VENT - UDFV



SECTION A - A SMOKE HATCH



Distributed by
www.Ameraproducts.com
 Phone: (800) 608-6548
 Fax: (409) 840-5945
 info@ameraproducts.com

 9702 NEWTON AV S, BLOOMINGTON MN 55431		Distributor:	Project:
		Contractor:	Approved By:
		Date:	Architect:
	MANY LOCATIONS NATIONWIDE	Scale: N/A	Pages: 2 of 2