

ROOF ACCESSORIES - SAFETY GRAB BAR - Exterior Mounted - RSCBB-Y

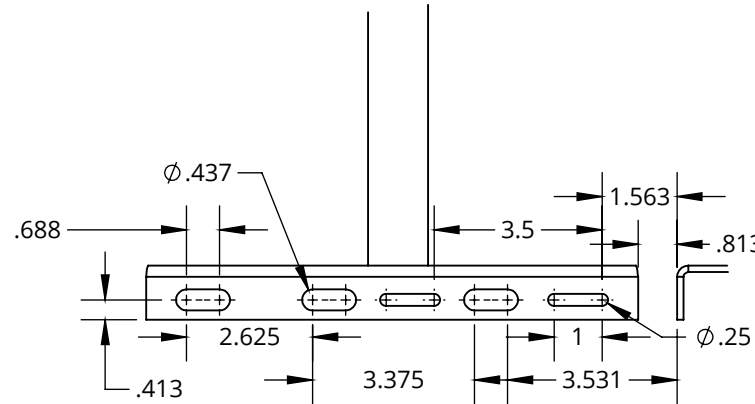
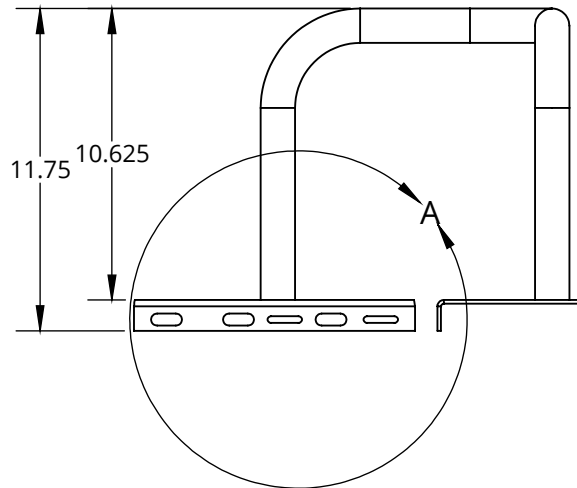
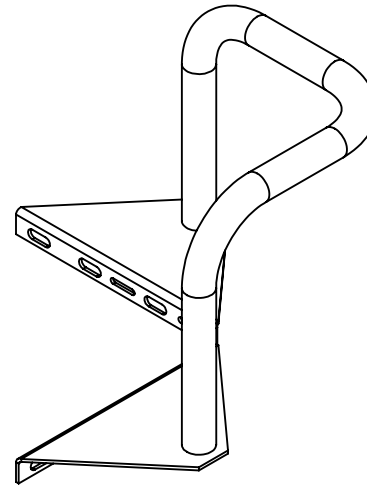
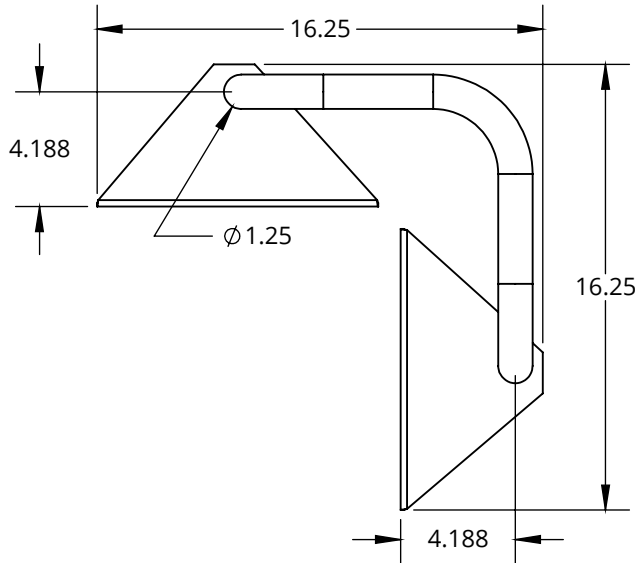
The Safety Grab Bar is always right in place, ready for use. Easily retrofitted with its universal mounting on either the right or left side of the roof hatch curb corner into the capflashing, so it does not penetrate the roof membrane.

SPECIFICATIONS:

Material: 1-1/4" (32mm) steel tubing and 3/16" thick steel plate

Finish: Safety yellow powder coat paint

Mounting Hardware: 1/4" - 20 steel torx screws and 3/8" - 16 steel bolts



DETAIL A
SCALE 1 : 4

Distributed by
www.Ameraproducts.com
 Phone: (800) 608-6568
 Fax: (409) 840-5545
info@ameraproducts.com



It is the responsibility of the customer to communicate specifications and product performance requirements that are needed for their application. This document is intended to convey potential product configurations and offerings. It is not to be used to imply or represent a specification or rating, of finished products shipped. Detailed, specific submittals can be created upon request. It is the responsibility of the customer to specify product accordingly to comply with local laws, codes, and ordinances.

	Distributor:		Project:	
	Contractor:		Approved By:	
	Date:		Architect:	
	Scale: N/A		Item#:	