

Functional Form

Where form always follows function

The DoorWave - Patent Pending by Functional Form, LLC

MODEL No: 0011 & 0012

ISSUED: 06/13/2014

Hands Free Door Pull

The Door Wave

Hands Free Door Pull

Model #0011 Stainless

T-304 Stainless Steel Brushed Finish 12 Gauge



Model #0012 Brass

1/8" Solid Brass



Hands Free Door Pull Wall/Door Plaque

Model #1005 Brushed Stainless finish; #1006 Brass finish



Model #1007 White Vinyl Sticker

Distributed by
www.Ameraproducts.com
Phone: (800) 608-6568
Fax: (409) 840-5545
info@ameraproducts.com

Functional Form

Where form always follows function

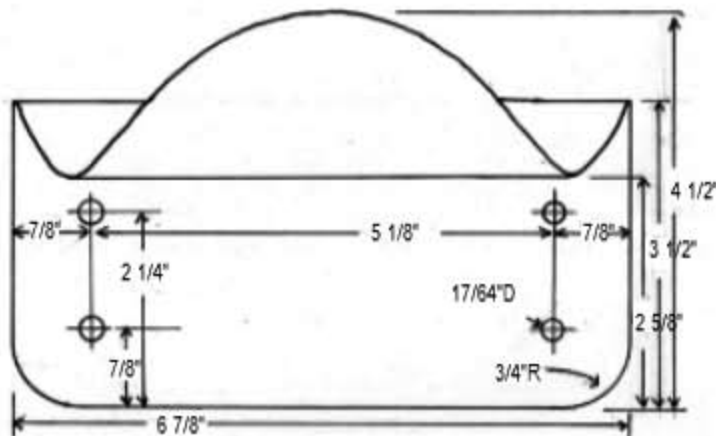
The DoorWave - Patent Pending by Functional Form, LLC

MODEL No: 0011

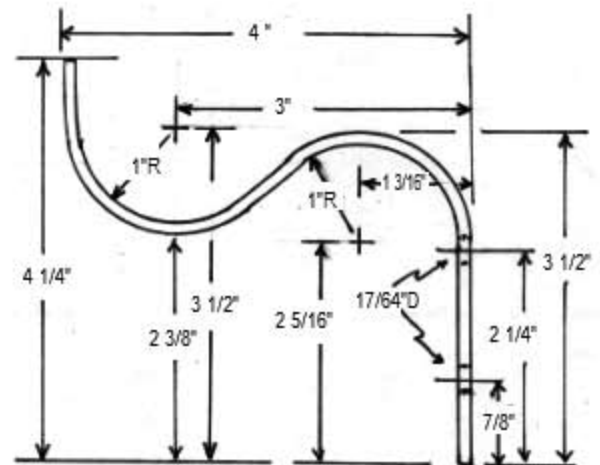
ISSUED: 03-19-13

REVISED: n/a

Heavy Duty Stainless Steel Hands Free Sanitary Door Pull



FRONT VIEW



SIDE VIEW

SPECIFICATION

Heavy Duty Stainless Steel Hands Free Sanitary Door Pull (DoorWave) for mounting on the inward pulling side of a one way public restroom door or other public door. The target application is a non-locking one way door that typically has a pull handle, whereby the DoorWave is added to the bottom outside edge of the door in addition to the existing door pull handle. This added foot operated pulling plate enables the user to exit the door without using their hands thus providing sanitary benefits. The DoorWave has a brushed stainless steel finish and is constructed of 12 gauge type 304 stainless steel. The DoorWave is manufactured out of one continuous piece of stainless and is designed specifically to prevent the entanglement of shoe laces or clothing material.

OPERATION

The sanitary hands free door pull can be operated by simply placing the toe of the users shoe below the device and pulling the door inward while applying upward pressure with the users foot. Alternately in the case of open toed shoes or ornamental shoes the user may place the sole of their shoe on the top of the device and while pressing down pull the door inward. The ability to use either the top or the bottom of the device supports numerous shoe types and provides the user with a sanitary option to exit the facility without additional contact to surfaces they may contain viruses or harmful bacteria.

Distributed by
www.Ameraproducts.com
Phone: (800) 608-6568
Fax: (409) 840-5545
info@ameraproducts.com