



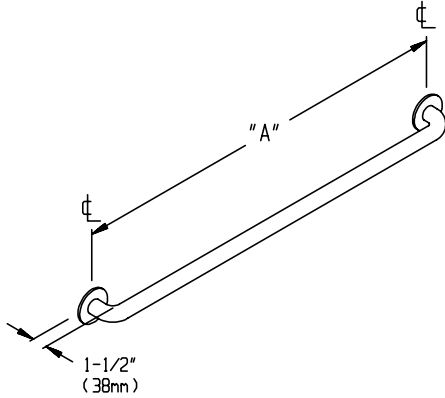
Distributed by
 www.Ameraproducts.com
 Phone: (800) 608-6568
 FAX: (409) 840-3343
 info@ameraproducts.com

ISSUED: 09-96

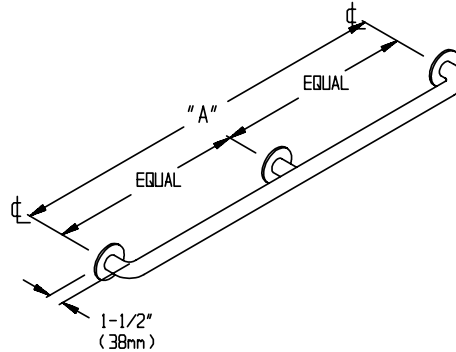
REVISED: 09-08

GRAB BAR CONFIGURATIONS

Type 01



Type 02



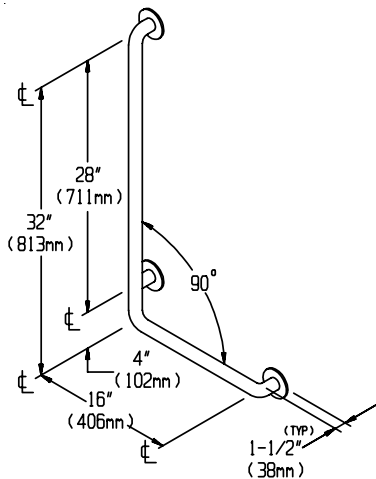
SCHEDULE

| QTY. | DIM. A | QTY. | DIM. A |
|------|-------------|------|--------------|
| | | | 30" (762mm) |
| | 12" (305mm) | | 36" (914mm) |
| | 18" (457mm) | | 42" (1067mm) |
| | 24" (610mm) | | 48" (1219mm) |

SCHEDULE

| QTY. | DIM. A |
|------|--------------|
| | 52" (1321mm) |
| | 54" (1372mm) |
| | 60" (1524mm) |
| | 72" (1829mm) |

Type 04

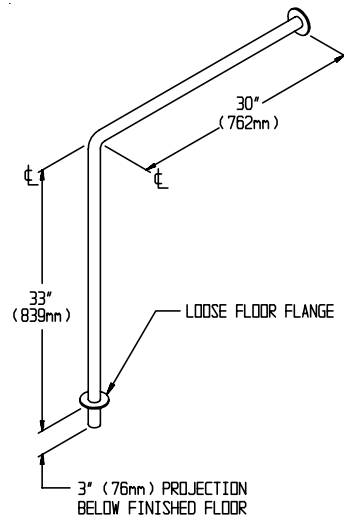


LEFT HAND SHOWN,
 RIGHT HAND OPPOSITE

| HAND | QTY. REQ'D. |
|------|-------------|
| L.H. | |
| R.H. | |

MODEL N^o MUST SPECIFY -LH OR -RH

Type 15



Contractor to provide proper sleeve in floor x 3" long to accept bar O.D. specified.

Accessory Specialties

AMERICAN DISPENSER

Desert Ray Products

WATROUS INC.



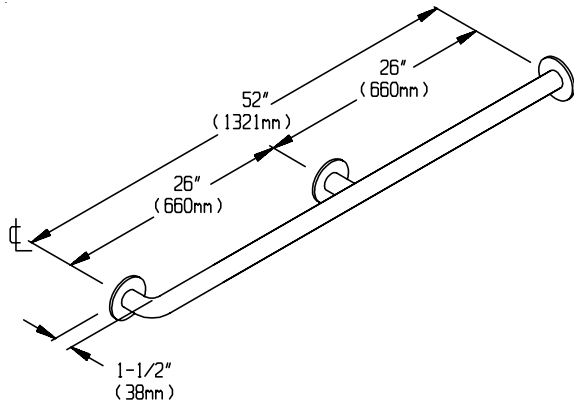
Distributed by
 www.Ameraproducts.com
 Phone: (800) 608-6568
 FAX: (409) 840-3343
 info@ameraproducts.com

ISSUED: 9-96

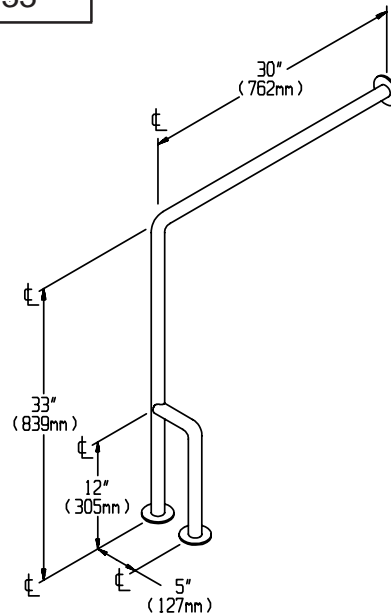
REVISED: 5-05

GRAB BAR CONFIGURATIONS

Type 24



Type 33

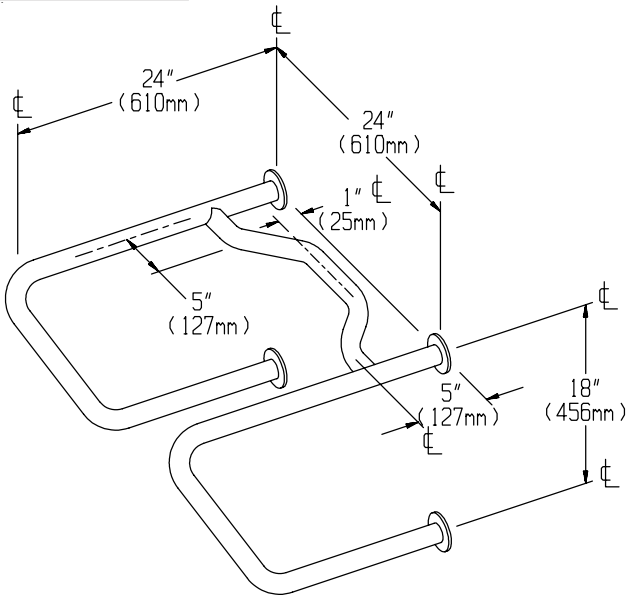


RIGHT HAND SHOWN,
 LEFT HAND OPPOSITE

| HAND | QTY. REQ'D. |
|------|-------------|
| L.H. | |
| R.H. | |

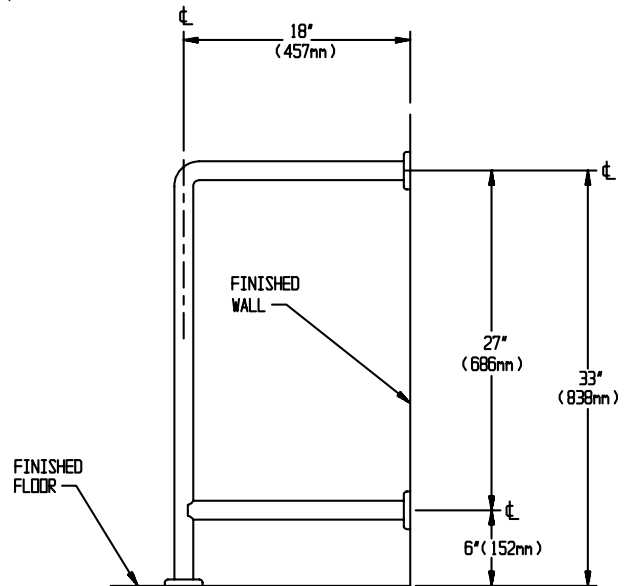
MODEL NO. MUST SPECIFY -LH OR -RH

Type 34

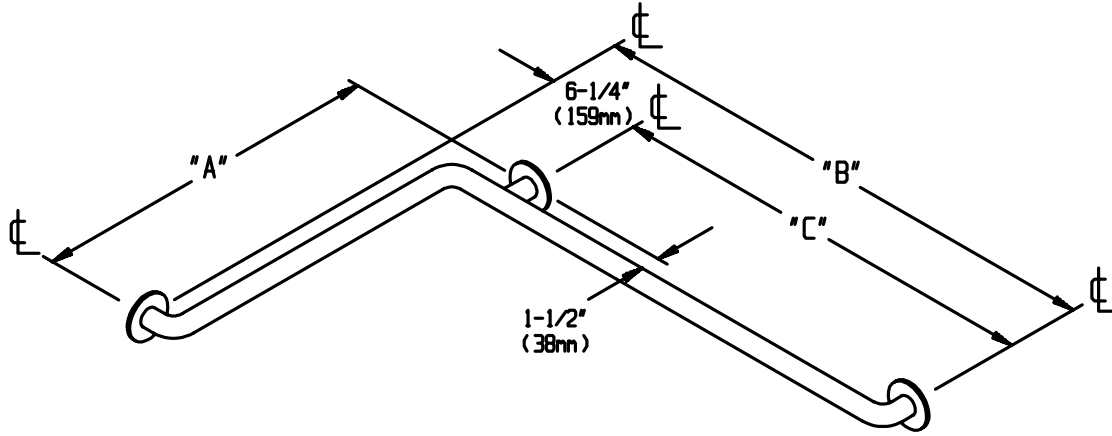


FOR BEDPAN FLUSH VALVE USE

Type 75

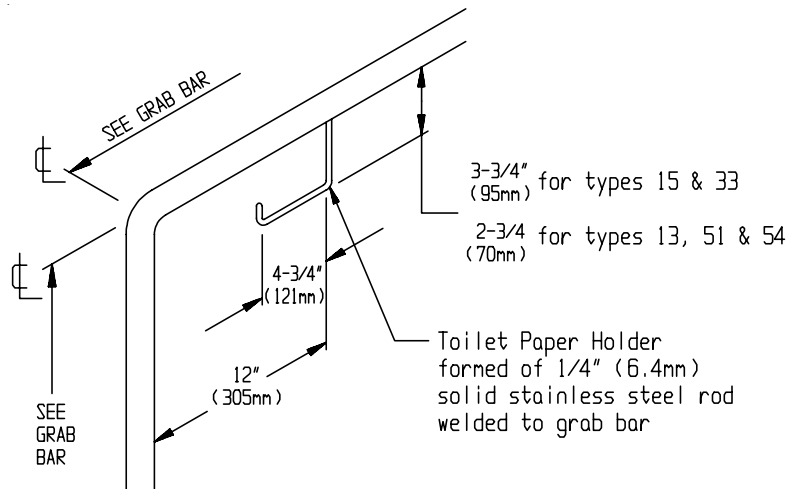


GRAB BAR CONFIGURATIONS



| TYPE | A | B | C |
|------|-----------------|-----------------|------------------|
| 50 | 24" (610mm) | 36" (914mm) | 29-3/4" (756mm) |
| 56 | 36" (914mm) | 54" (1372mm) | 47-3/4" (1213mm) |
| 57 | 42" (1069mm) | 54" (1372mm) | 47-3/4" (1213mm) |
| 60 | 18" (457mm) | 30" (762mm) | 23-3/4" (603mm) |
| 74 | 18-1/8" (460mm) | 33-1/8" (841mm) | 26-7/8" (683mm) |

Option 25



Option 25 Toilet Paper Holder is welded on to Grab Bars of the Swing Up or Swing Away configurations 3413, 3451, 3454 and Fixed Types 15, 33