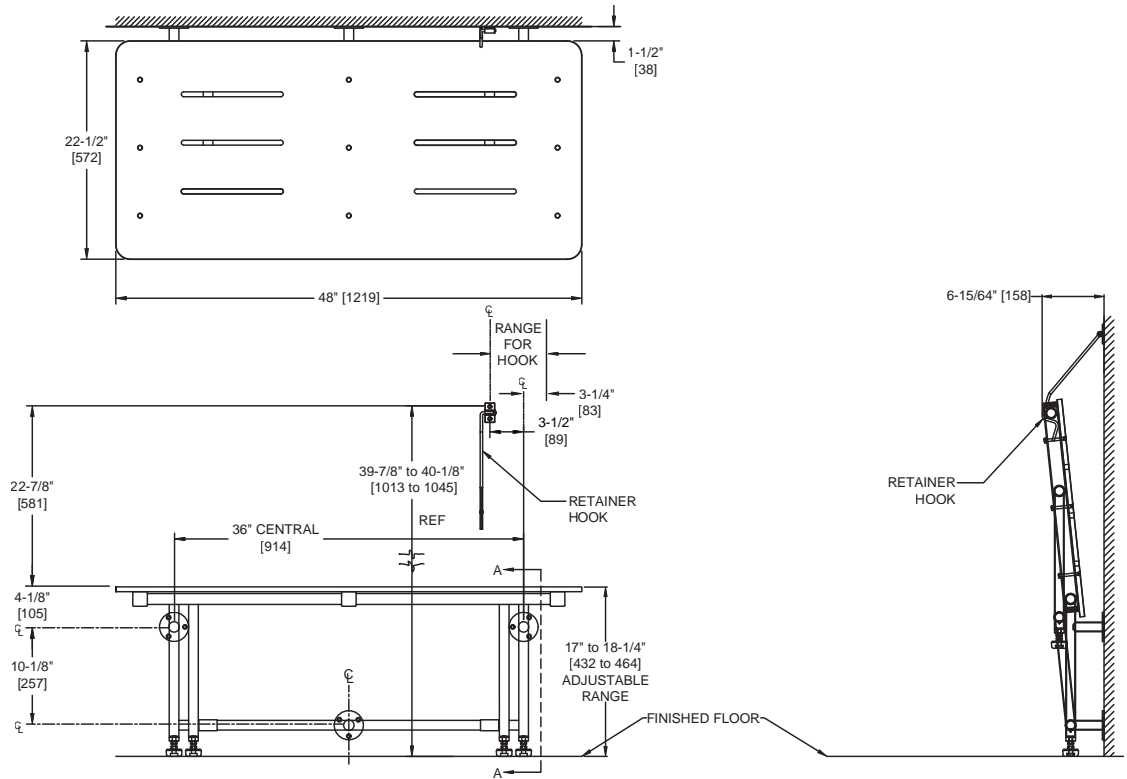


Four leg, Rectangular Fold-Up Shower Seat, Phenolic, ADA

Shower/Tub Accessories

MasterFormat Section 10 28 13



Scan for Information



SUSTAINABILITY/LEED

MR 4.1 (1) MR 6 (1) EQ 4.2 (1)
MR 4.2 (1) EQ 4.1 (1) EQ 4.4 (1)

NOTE:
ALL DIM'S INCH [MM]
ILLUSTRATION FOR REF ONLY AND NTS

PRODUCT OVERVIEW

Seat is white colored, black core phenolic. Frame, mounting bracket and retainer hook are type 304 satin finished stainless steel. Seat is 22-1/2" [572] deep and 48" [1219] wide, projecting 24" [610] from the wall when in the open position. When retracted, legs fold up to provide low profile against wall.

KEY FEATURES & SPECIFICATIONS

- Rectangular w/ 4 legs - ADA Compliant
- Seat folds up when not in use - Wall Attached
- Seat - White Phenolic / Body - Type 304 Stainless Steel
- Support load of 1000 lbs to 1250 lbs maximum if installed properly
- Surface Mounted
- Seat is Slotted for Drainage
- When retracted, legs Fold Up to provide low profile against wall

Distributed by
www.Ameraproducts.com
Phone: (800) 608-6568
Fax: (409) 840-5545
info@ameraproducts.com

OPERATION & MAINTENANCE

Fold-up Shower Seat requires only one hand operation to manually lower to horizontal position for use or raise for departure and arrival. Guide bracket with spring detent prevents seat from dropping and provides positive support in usage position as well as spring locked storage position.

TECHNICAL INFORMATION / PRODUCT PROPERTIES

Property	Value
Dimensions	48" [1219] W x 17" [432] to 18-1/4" [464] H x 22-1/2" [572] D
Construction	Seat - White Phenolic / Body - Type 304 Stainless Steel Seat is Slotted for Drainage
Mounting	Surface Mounted
Materials	<p><u>Tubes:</u> 14 gauge (.075" [1,9] thick) 1" Dia. [Ø25] and 16 gauge (.06" [1,5] thick) & 20 gauge (.04" [1,0] thick) 1- 1/8" Dia. [Ø29], 1-1/2" [38] square x 18 gauge, all type 304 stainless steel. Unitized all welded construction. Exposed surfaces have satin finish. Edges and corners are radiused and burr free.</p> <p><u>Flanges:</u> 3/16" (4.8), type 304 stainless steel. Exposed surfaces have satin finish. Edges are radiused, and burr free.</p> <p><u>Brackets:</u> 12 gauge (.106" [2,7] thick), type 304 stainless steel. Exposed surfaces have satin finish. Edges and corners are radiused and burr free.</p> <p><u>Seat:</u> Solid Phenolic 1/2" [13] x 22-1/2" [572] x 48" [1219] nonporous seat has white top and bottom surfaces with semi-gloss finish and black edges with radiused and burr free corners.</p>

INSTALLATION

This unit is surface mounted. Installer/construction contractor must provide concealed anchor plate or blocking as specified in construction documents or as required by local building codes prior to wall finishing. Fasten unit flanges and guide bracket to concealed anchor or blocking plate with appropriate hardware. Note that concealed mounting plates or anchors and hardware are not supplied with this product and must be specified separately. Ensure that mounting configuration complies with local building codes.

CAPACITY
WARRANTY

One (1) Year from date of Invoice

